

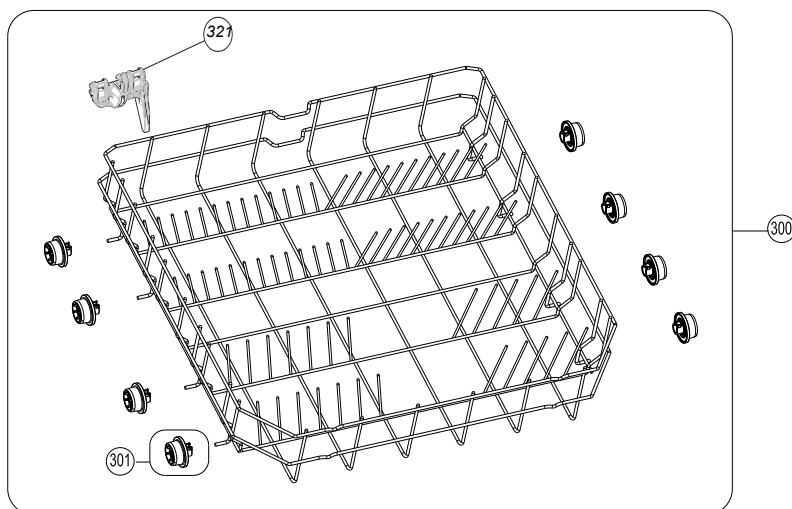
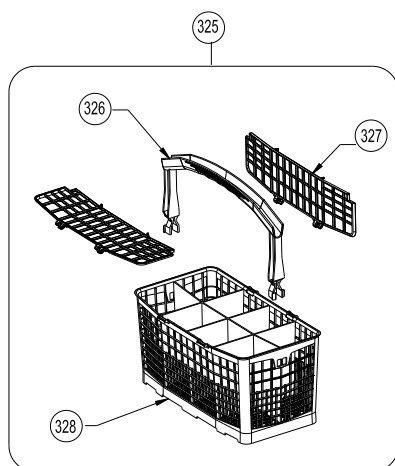
VESTEL

WHITE GOODS

VESTEL DISWASHER MACH .

LOWER BASKET GROUP

CUSTOMER
SUPPORT



NO	PART NAME
300	LOWER BASKET GROUP - (301)
301	LOWER BASKET WHEEL GROUP
325	PLASTIC SET BASKET (326-327-328)
326	PLASTIC BASKET HANDLE
327	PLASTIC BASKET COVER
328	PLASTIC BASKET
321	LOWER BASKET STOPPER

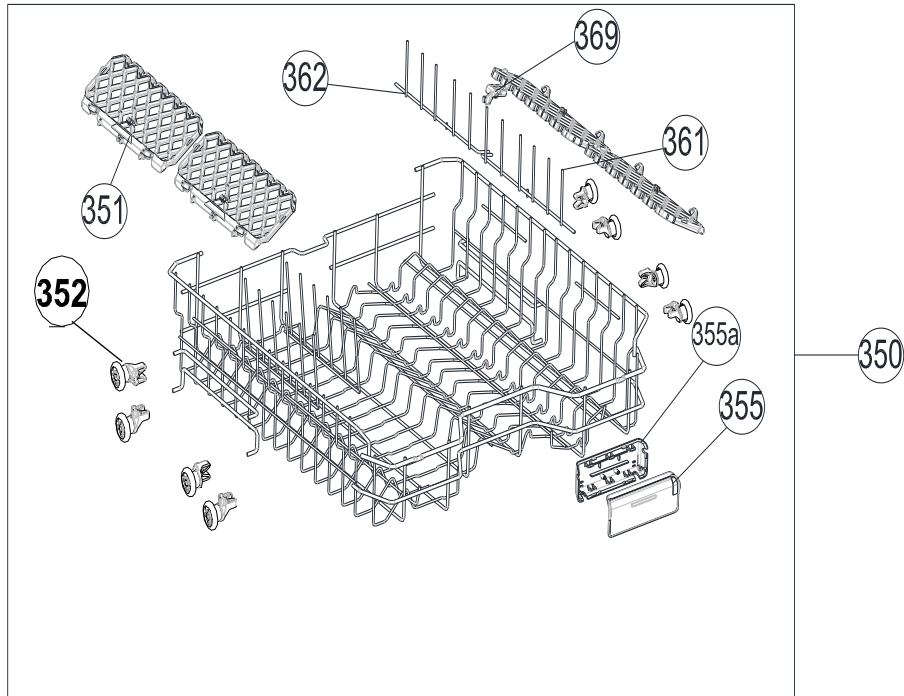
MAY 2018

VESTEL

WHITE GOODS

VESTEL DISWASHER MACH .

UPPER BASKET GROUP

CUSTOMER
SUPPORT

NO	PART NAME
350	ÜSG-V2/DWK/6YT/DYA-4A-KK-T3(SHRP)/IN/RED
351	UPPER BASKET MUGSHALF GR-TPE
352	UPPER BASKET WHEEL GROUP
355	UPPER BASKET HANDLE GR-3-METAL AES(SHARP)
355a	UPPER BASKET HANDLE-3-BACK
361	FOLDING SPIKES-RIGHT FRONT/V2
362	FOLDING SPIKES-RIGHT BACK/V1-V2
369	FOLDING SPIKES MECHANISM-3

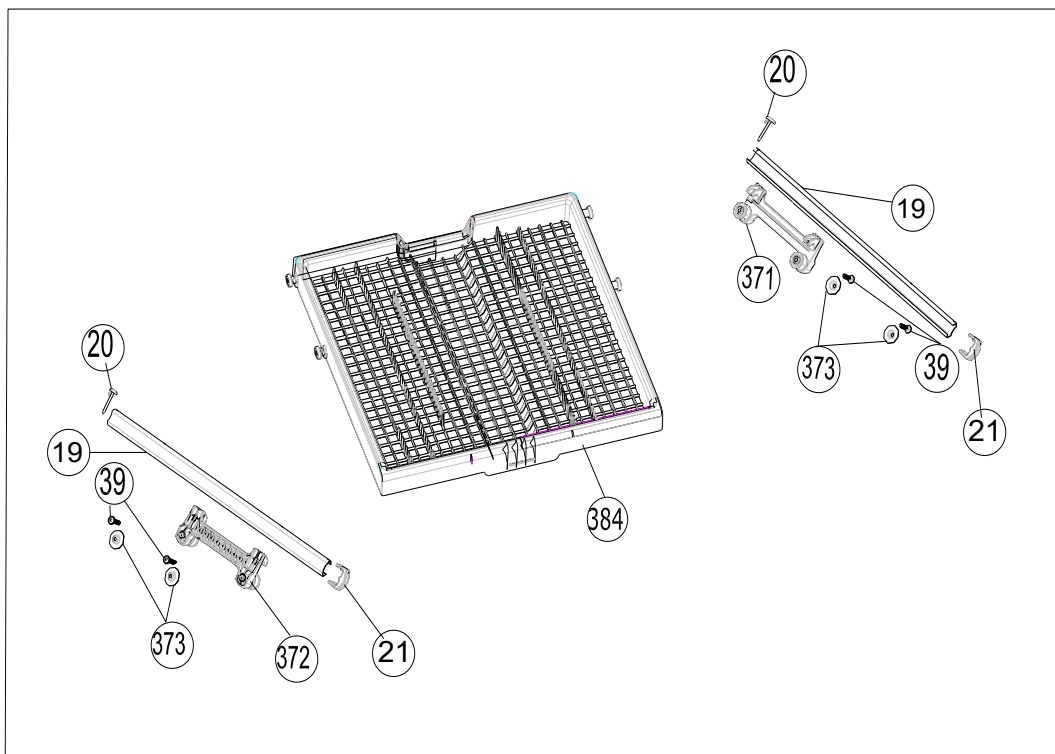
MAY 2018

VESTEL

WHITE GOODS

VESTEL DISWASHER MACH .

3B GR-PLASTIC

CUSTOMER
SUPPORT

NO	PART NAME
19	UPPER BASKET RAIL(458*0,8*50)
21	UPPER BASKET RAIL LOCK-FRONT-2
20	UPPER BASKET STOPPER-REAR
39	SCREW PT5X20 TORX WITH RONDELA
384	3SP ECO TRAY GR
371	3.BASKET BRACKET GR-RIGHT
372	3.BASKET BRACKET GR-LEFT
373	3.BASKET BRACKET WASHER

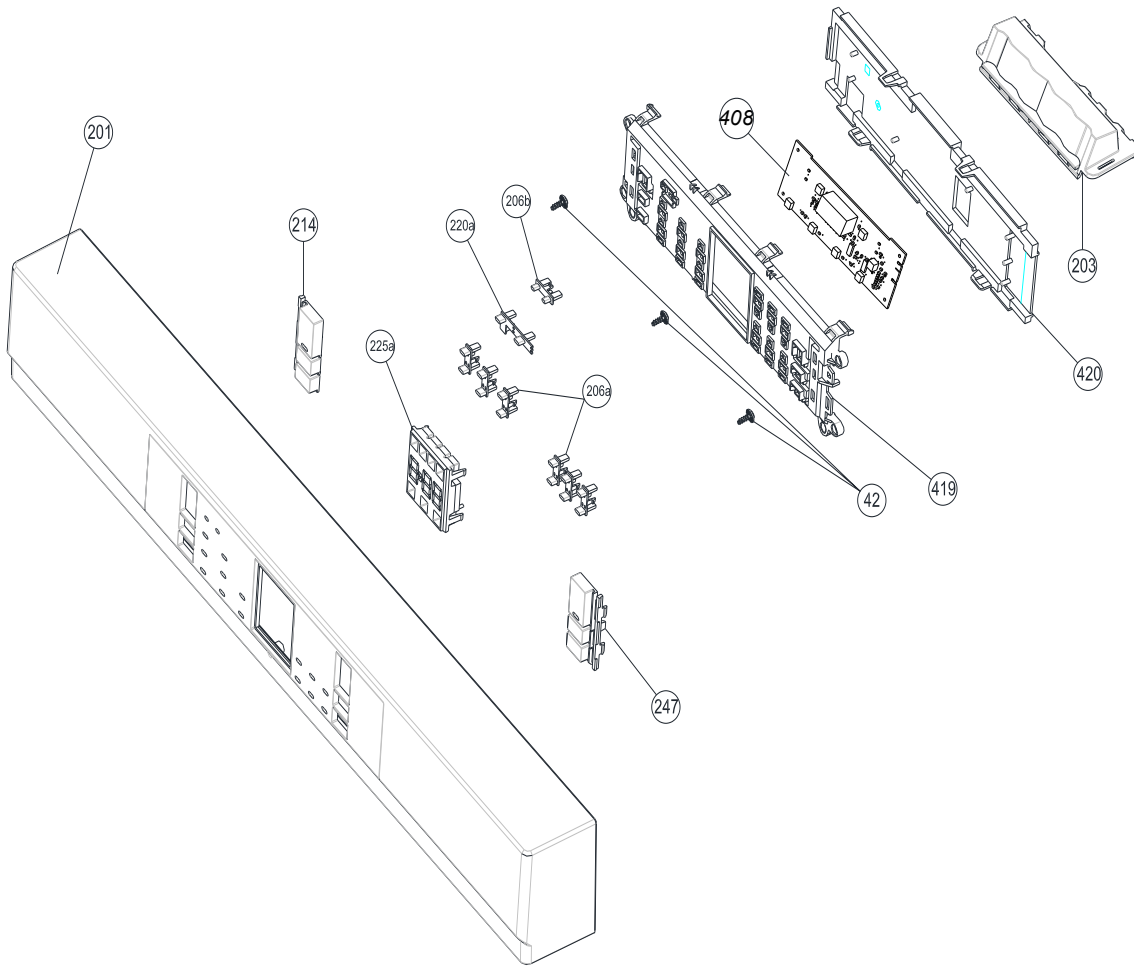
MAY 2018

VESTEL

WHITE GOODS

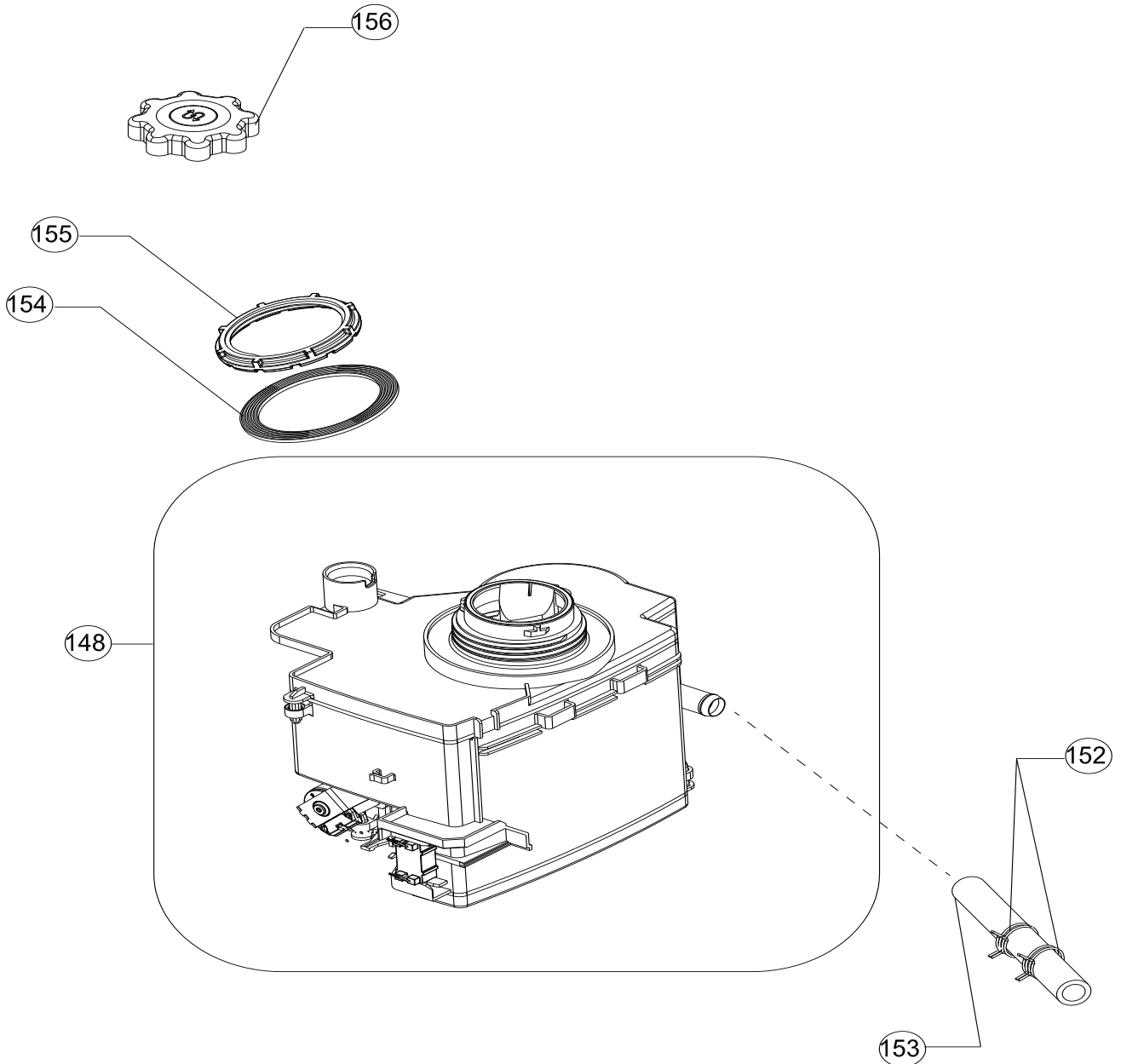
VESTEL DISWASHER MACH .

CONTROL PANEL GROUP

CUSTOMER
SUPPORT

NO	PART NAME
200	CON.PAN.GR (201-241-242)
201	CO.PA.GR.SRGF
203	HANDLE
42	SCREW PT3,5X9 YSB
247	START/PAUSE BUTON/ANGEL/A2
214	ON/OFF BUTON/ANGEL/A1DIS-A2
225a	DISPLAY MODUL
206a	LIGHTGUIDE/PROGRAME/ANGEL/A1-A2
206b	LIGHTGUIDE/TUZ-PAR/ANGEL/A1DIS-A2
220a	LIGHTGUIDE/PRG/ANEMON/A1-A2 2/3LÜ
408	DISPLAY CARD
419	DISPLAY BOX
420	DISPLAY BOX COVER

MAY 2018



NO	PART NAME
148	WATER SOFTENER GR.WITH REED RELAY
152	CLAMP Dmax19,6X8,8
153	HOSE D12*3*160
154	WATER SOFTENER NUT GASKET
155	WATER SOFTENER NUT
156	SALT CAP GROUP (MAGNETIC VERSION)

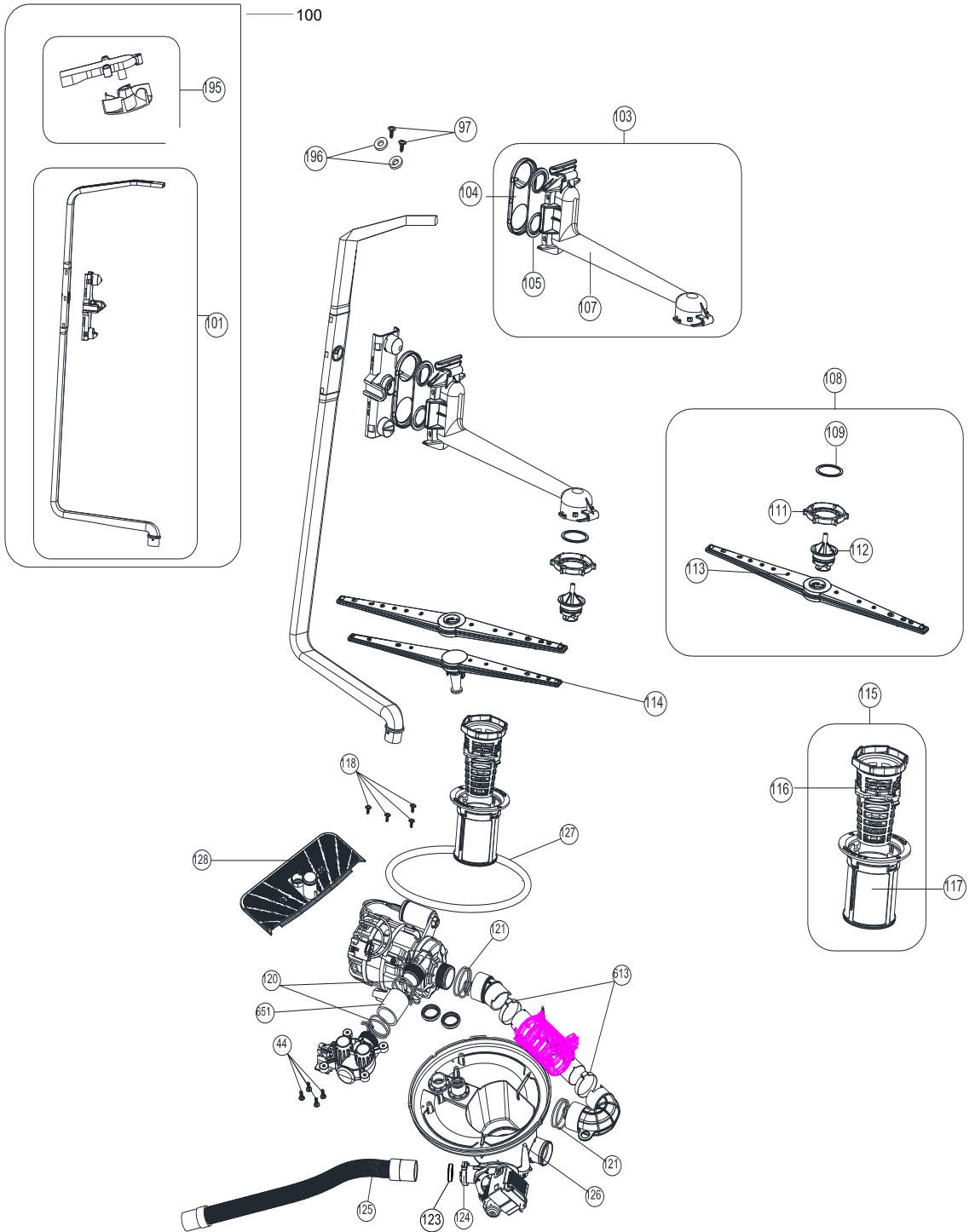
VESTEL

WHITE GOODS

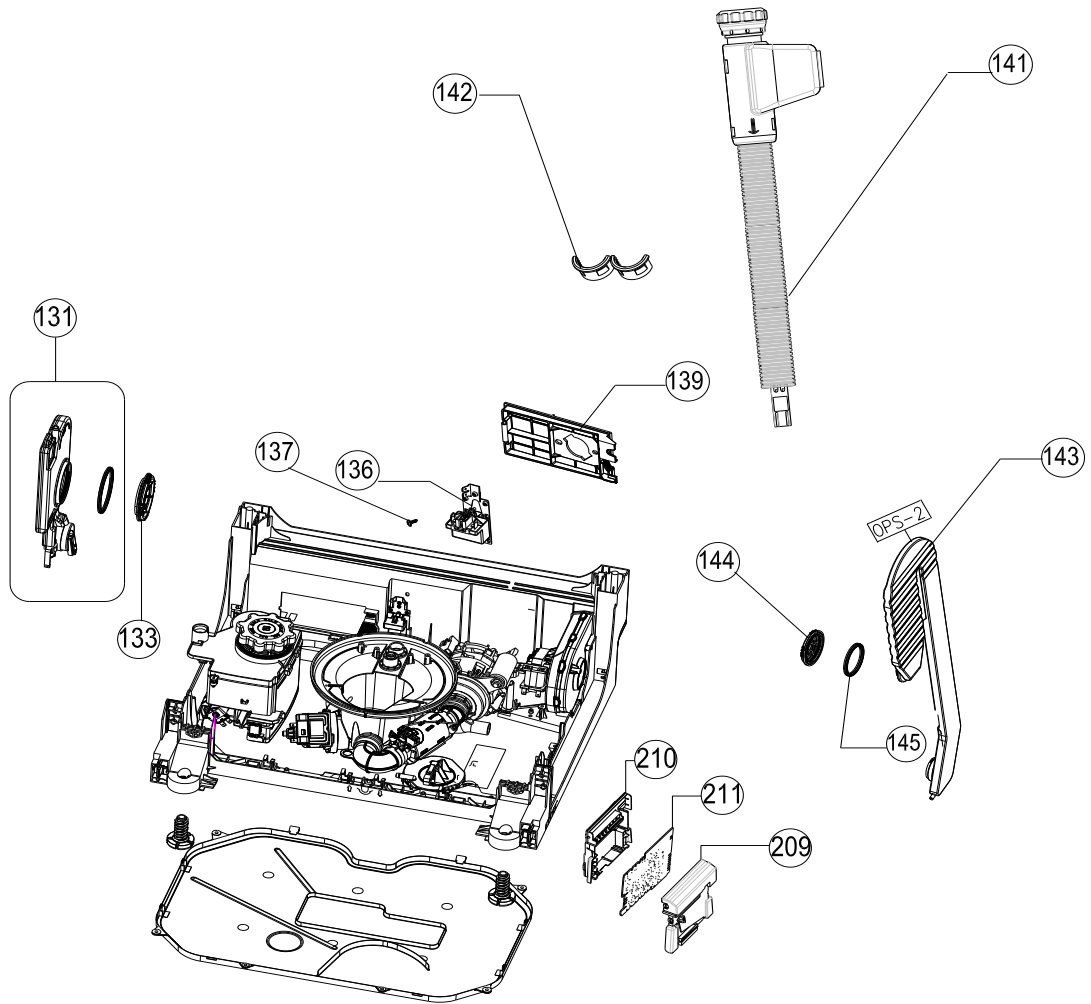
VESTEL DISWASHER MACH .

UPPER HDYROLIC GROUP

CUSTOMER SUPPORT



NO	PART NAME
100	UPPER SPRAYARM FEEDING CAN-C-1 GR/PROPEL(101-97-195)
101	UPPER SPRAY ARM FEEDING CANAL-C-1-5mm
195	IMPELLER GR
103	UPPER SPRAY ARM SUPPORT GR-RAL 7046 (104-105-107)
104	UPPER SPRAY ARM ADAPTER COVER-RAL 7046
105	UPPER SPRAY ARM ADAPTER GASKET
107	UPPER SPRAY ARM SUPPORT-RAL 7046
108	UPPER SPRAY ARM GR-RAL 7046 (113-112-111-109)
109	UPPER SPRAY ARM NUT PLS D28XT1,2
111	UPPER SPRAY ARM NUT-RAL 7046
112	UPPER SPRAY ARM SHAFT-RAL 7046
113	UPPER SPRAY ARM-RAL 7046
114	LOWER SPRAY ARM-RAL 7046
115	MICROFILTER GR-SHEET/RAL 7046 (116-117)
116	COURSE FILTER-RAL 7046
117	MICROFILTER-SHEET/RAL 7046
118	SCREW PT4X12 YSB INOX
120	CLAMP Dmax36,4X14
121	CLAMP Dmax41X14,8
651	HOSE D28,5X3X38,5 - (motor - diverter)
123	KLAPE
124	CLAMP Dmax29,4X11,4)
125	DRAIN HOSE 200 CM
126a	SUMP GR/45/FT/DIV- TURB.SENSÖRLÜ (76-197-152-44-123-153-175-126)
126	SUMP/45/FT
127	SUMP SEAL
128	SPRAY ARM SUPPORT
195	IMPELLER GR
196	TOP TUB RUBBER
97	SCREW PT4x8 YSB (F.LI)
44	SCREW PT4X12YSB



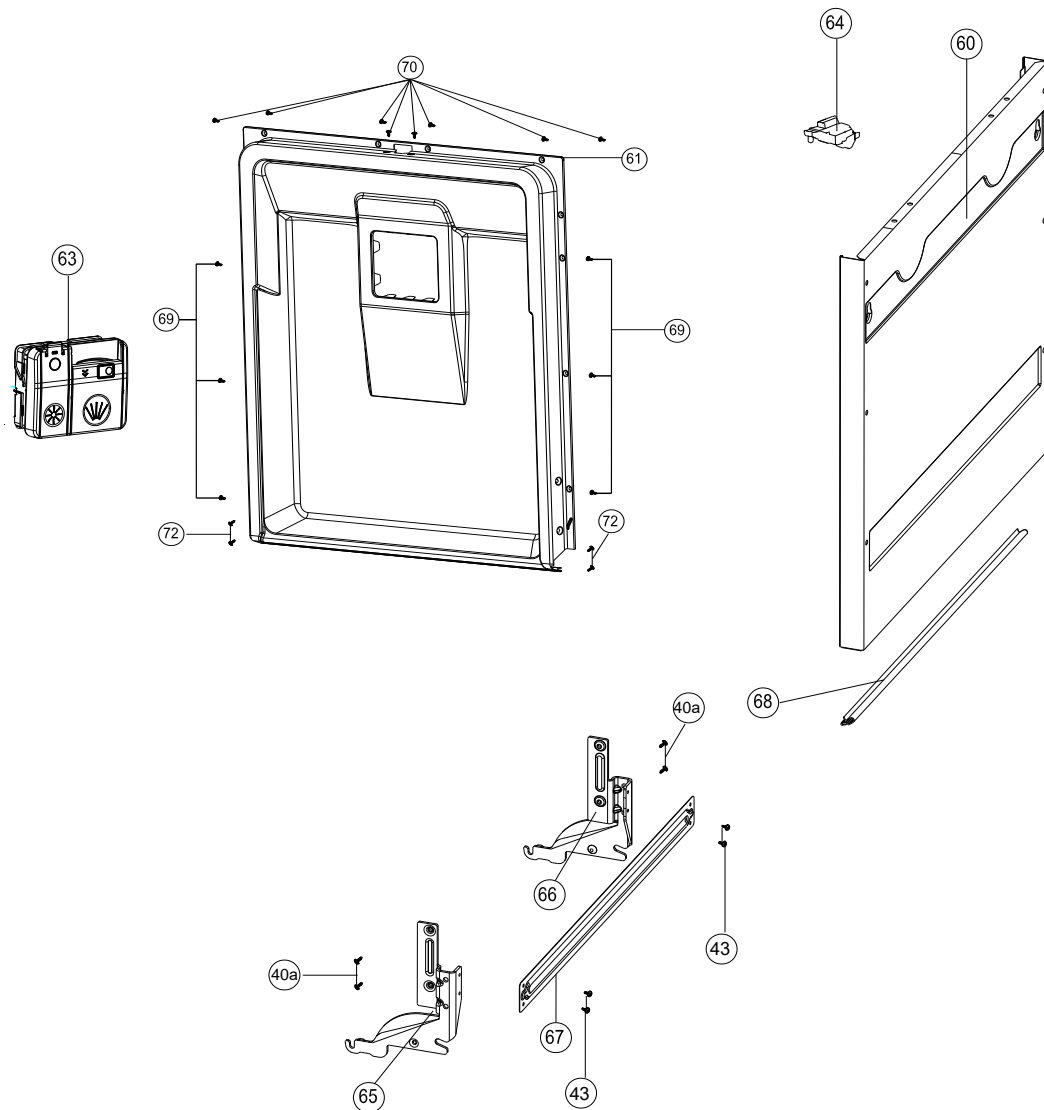
NO	PART NAME
131	AIR BREAK GROUP
133	AIR BREAK NUT
136	PARASITE FILTE
137	SCREW PT3X9 YSB
139	BASEMENT HOSE.CON.PLS.
141	SAFETY HOSE
142	SAFETY HOSE HOLDER
143	STEAM CONDERSER (PLEASE ORDER THE SPARE PART WHICH IS USED IN YOUR MACHINE)
144	STEAM CONDERSER NUT
145	STEAM CONDERSER SEALING NUT
209	PCB BOX
210	PCB BOX COVER
211	ELECT. CARD

VESTEL

WHITE GOODS

VESTEL DISWASHER MACH .

DOOR GROUP

CUSTOMER
SUPPORT

NO	PART NAME
60	FRONT PANEL-7(A527)PR
61	INNER DOOR ASSEMBLY
63	DISPANSER
64	DOOR LOCK
65	HINGE MOVEMENT SHEETIRON LEFT
66	HINGE MOVEMENT SHEETIRON RIGHT
67	TWISTED SHEETIRON
68	DOOR SEAL
69	SCREW ST 3,9X12 FLAT HEAD INOX
70	SCREW PT4X14 FLAT HEAD INOX
72	SCREW M5X10 TORK HEAD (S)
40a	SCREW M4X6 YSB SPIRAL
43	SCREW M4X10 YSB SPIRAL

MAY 2018

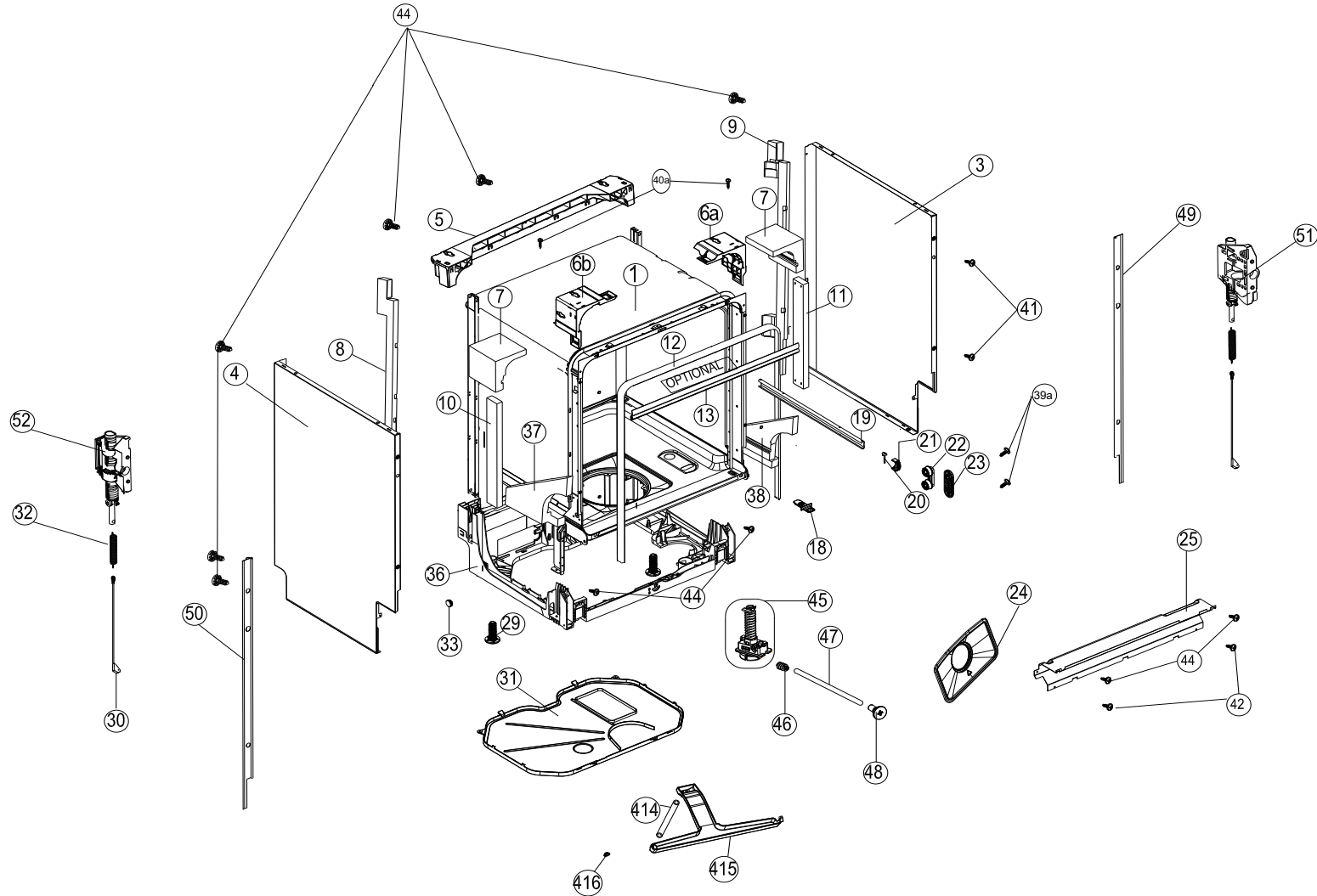
VESTEL

WHITE GOODS

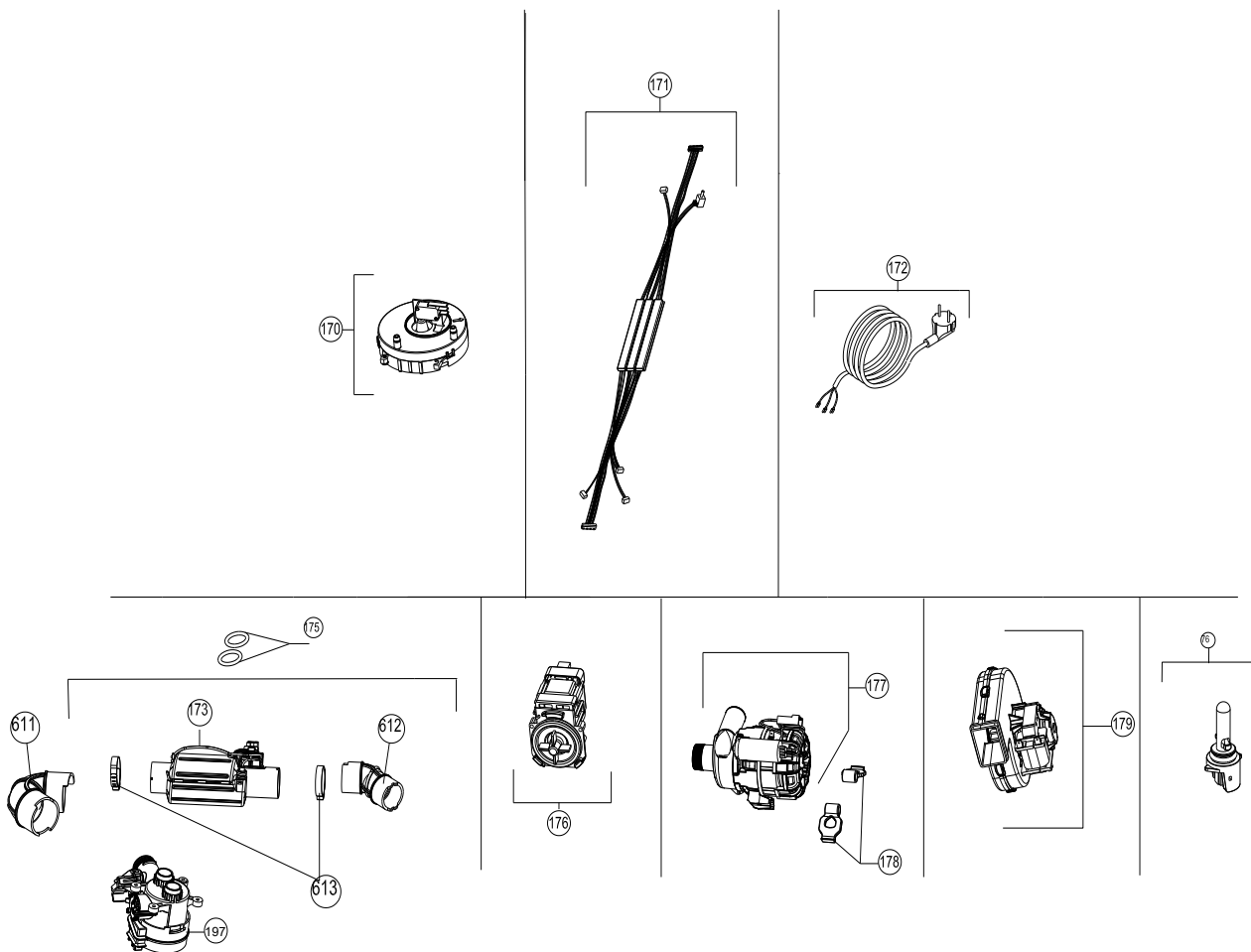
VESTEL DISWASHER MACH .

TUBE ASSEMBLY GROUP

CUSTOMER SUPPORT



1	TUBE ASSEMBLY
3	PANEL SHEETIRON-RIGHT
4	PANEL SHEETIRON-LEFT
5	REAR UPPER PLS.CROSS BAR
6a	UPPER TRAY SUPPORT PART-RIGHT
6b	UPPER TRAY SUPPORT PART-LEFT
7	TUB TOP CORNER STYROFOAM
8	BACK CROSS BAR STYROFOAM-LEFT
9	BACK CROSS BAR STYROFOAM-RIGHT
10	FRONT CROSS BAR STYROFOAM-LEFT
11	FRONT CROSS BAR STYROFOAM-RIGHT
12	TUB GASKET
13	TOB TUB GASKET
18	DOOR HOOK/PLASTIC
19	UPPER BASKET RAIL
20	UPPER BASKET STOPPER-REAR
21	UPPER BASKET RAIL LOCK-FRONT
22	UPPER BASKET RAIL CON.BRA.GROUP
23	UPPER BASKET RAIL CON.BRA. REAR
24	METAL FILTER-2
25	KICK PLATE SHEETIRON
29	ADJUSTED FOOT
30	HINGE CORD GROUP
31	LOWER COVER
32	HINGE SPRING
33	HINGE PULLEY
36	BASEMENT
37	TUB LOWER CORNER STYFROFOAM-LEFT
38	TUB LOWER CORNER STYFROFOAM-RIGHT
39a	SCREW PT5X20 TORX WITH RONDELA
40a	SCREW M4X6 YSB SPIRAL
41	SCREW SAC 3,9X7,5 Y
42	SCREW PT3,5X9YSB(F.LI VE T.)
44	SCREW PT4X12 YSB (F.LI
45	BUILT IN ADJUSTMENT MECHANISM
46	BUILT IN WORM GEAR
47	BUILT IN HEIGHT MEC.AXLE
48	BUILT IN ADJUSTMENT MEC.FRONT COVER
49	TUB BORDER GASKET-RIGHT
50	TUB BORDER GASKET-LEFT
51	BUILT IN HINGE SPRING ADJUSTMENT GR.RIGHT
52	BUILT IN HINGE SPRING ADJUSTMENT GR.RIGHT
54	BASEMENT FRONT COVER
414	OVERFLOW PLASTIC HOSE/PVC/UNSTRUNG
415	OVERFLOW PLASTIC
416	BOTTOM TUB OVERFLOW GASKET



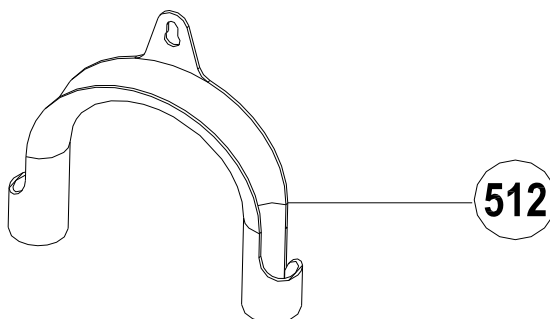
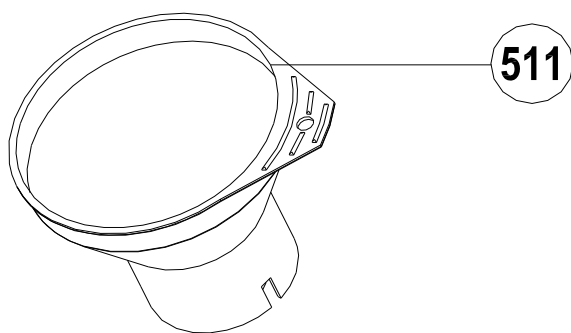
NO	PART NAME
170	FLOATER
171	CABLE HARNESS
172	POWER CABLE 180cm/WHITE
173	HEATER FLOW THROUGH
175	HEATER CASING O-RING
176	DRAIN PUMP
177	WASHING PUMP
178	WASHING PUMP VINE SUPPORT
76	NTC/SLIM
179	TURBOFAN
611	HOSE HEATER-ECO
612	HOSE PUMP-HEATER
613	HOSE HANDCUFFS/FLOW THROUGH
197	DIVERTER

VESTEL

WHITE GOODS

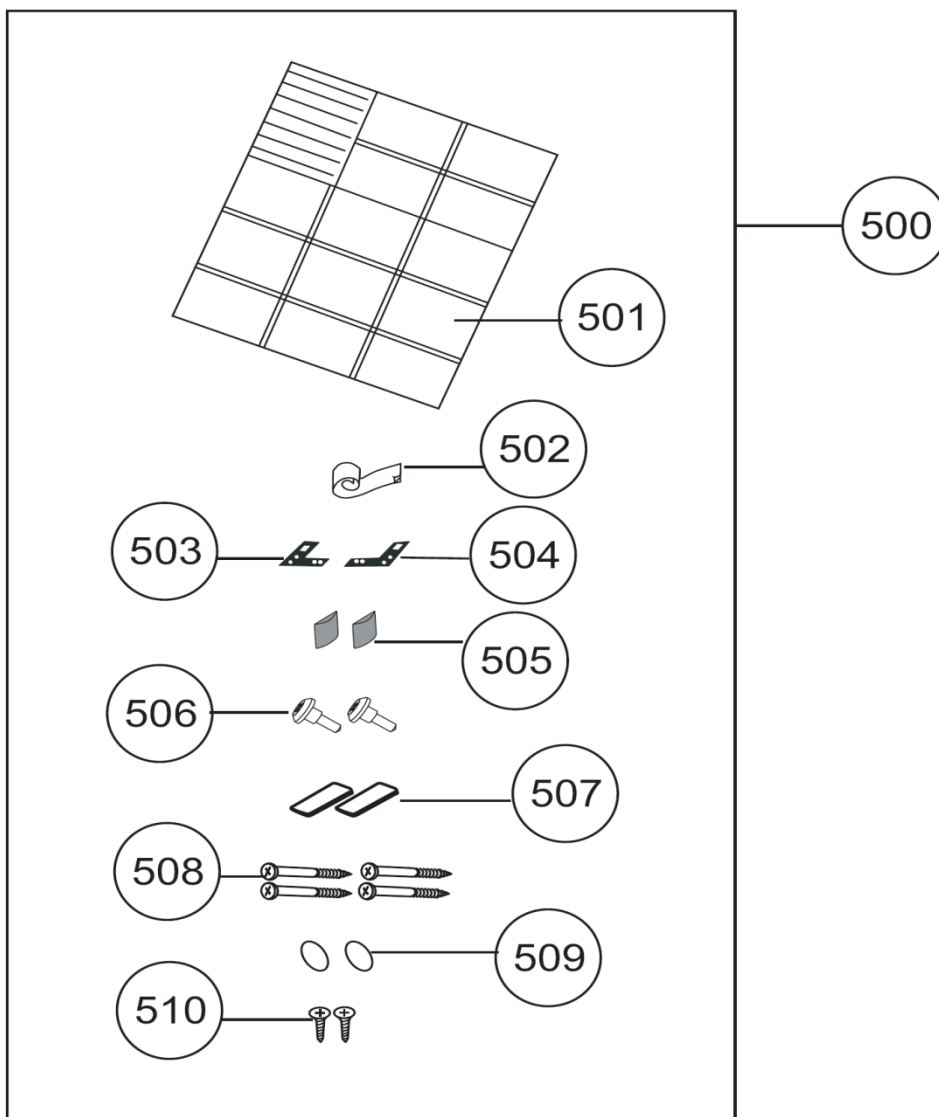
VESTEL DISWASHER MACH .

OPTIONAL PARTS

CUSTOMER
SUPPORT

NO	PART NAME
511	SALT FUNNEL
512	DRAIN HOSE COAT RACK

MAY 2018



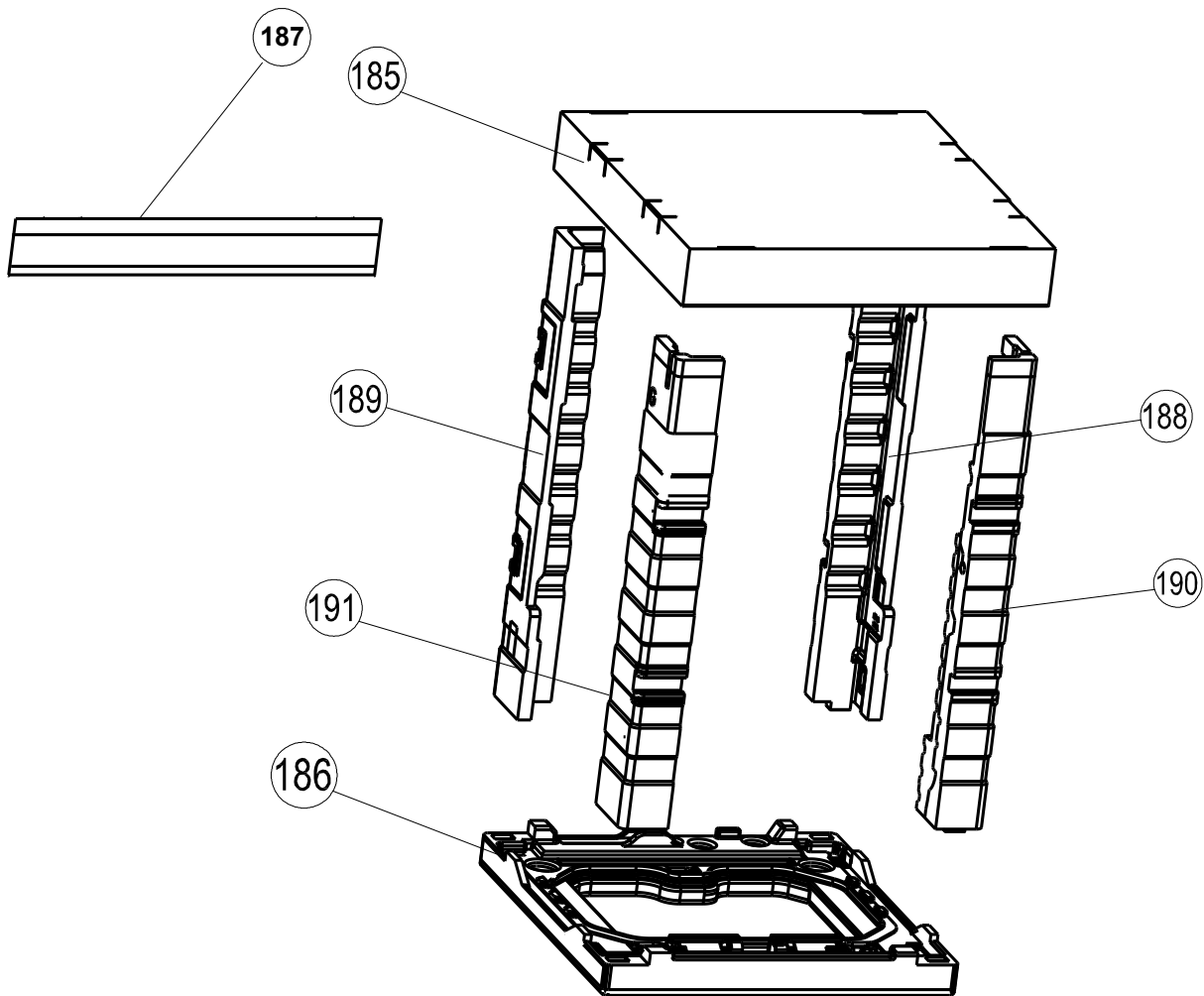
NO	PART NAME
500	INTEGRATED TOOL GR/SILVA
501	FITTING PLAN/SILVA
502	STEAM HOLDER FOLYO
503	FITTING S.IRON FOR BENCH-LEFT/COVERING
504	FITTING S.IRON FOR BENCH-RIGHT/COVERING
505	SIDE STOPPER STICKER
506	FITTING SCREW FOR WOOD
507	WOOD STOPPER STICKER
508	SCREW 4X42,5 YHB
509	SPRING ADJ.MEC.HOLE FLAP
510	SCREW 4X15 YHB

VESTEL

WHITE GOODS

VESTEL DISWASHER MACH .

OPTIONAL PARTS

CUSTOMER
SUPPORT

NO	PART NAME
185	UPPER CARTON
186	BASEMENT STYROFOAM
188	REAR STYROFOAM-RIGHT
189	REAR STYROFOAM-LEFT
190	FRONT STYROFOAM-RIGHT
191	FRONT STYROFOAM-LEFT
187	WOOD/60

MAY 2018