

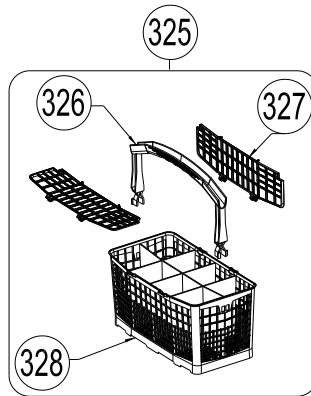
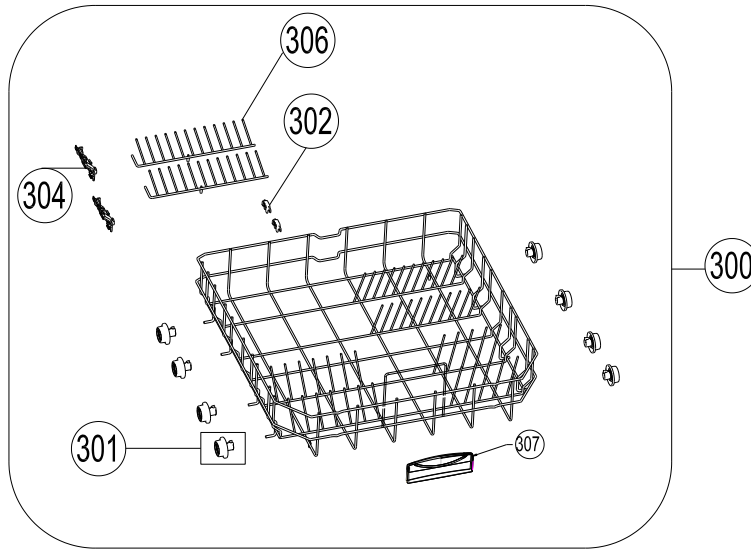


WHITE GOODS

VESTEL DISWASHER MACH .

LOWER BASKET GROUP

CUSTOMER SUPPORT



| NO  | PART NAME  |
|-----|--|
| 300 | LOWER BASKET GR 2 FOLD.SPIKES ( 301-302-304-306-307) |
| 301 | LOWER BASKET WHEEL GROUP                             |
| 302 | FOLDABLE COMBS HOLDER PLASTIC                        |
| 304 | FOLDING SPIKES MECHANISM-LEFT                        |
| 306 | FOLD DOWN COMB-LEFT                                  |
| 307 | PLASTIC HANDLE                                       |
| 325 | PLASTIC SET BASKET ( 326-327-328 )                   |
| 326 | PLASTIC BASKET HANDLE                                |
| 327 | PLASTIC BASKET COVER                                 |
| 328 | PLASTIC BASKET                                       |

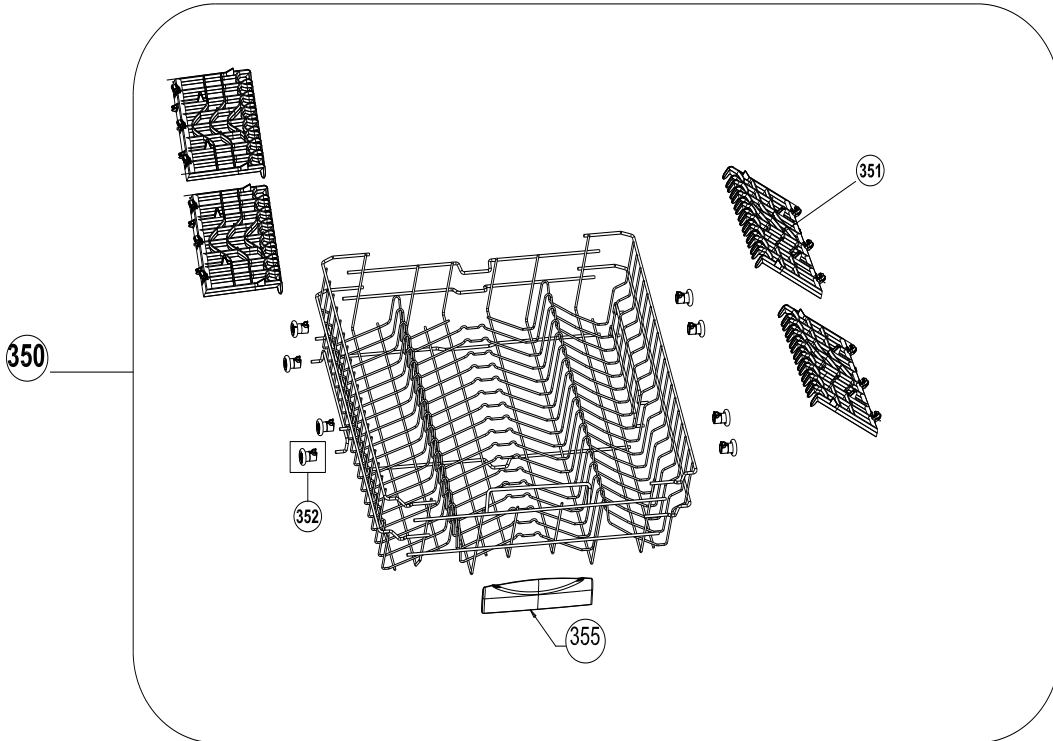


WHITE GOODS

VESTEL DISWASHER MACH .

UPPER BASKET GROUP

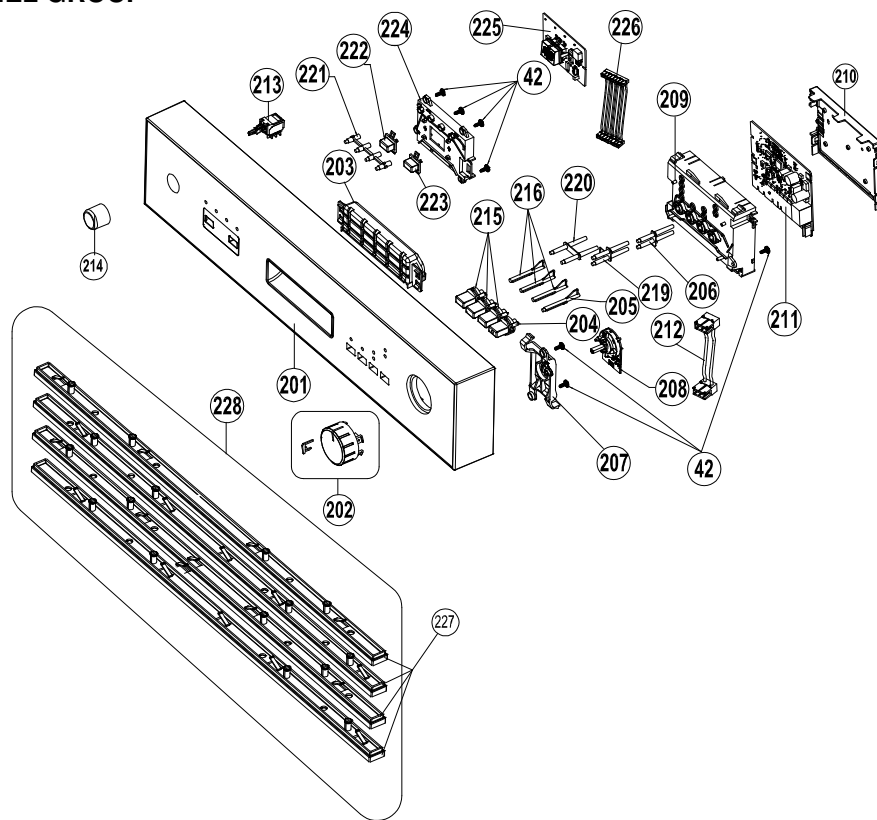
CUSTOMER  
SUPPORT



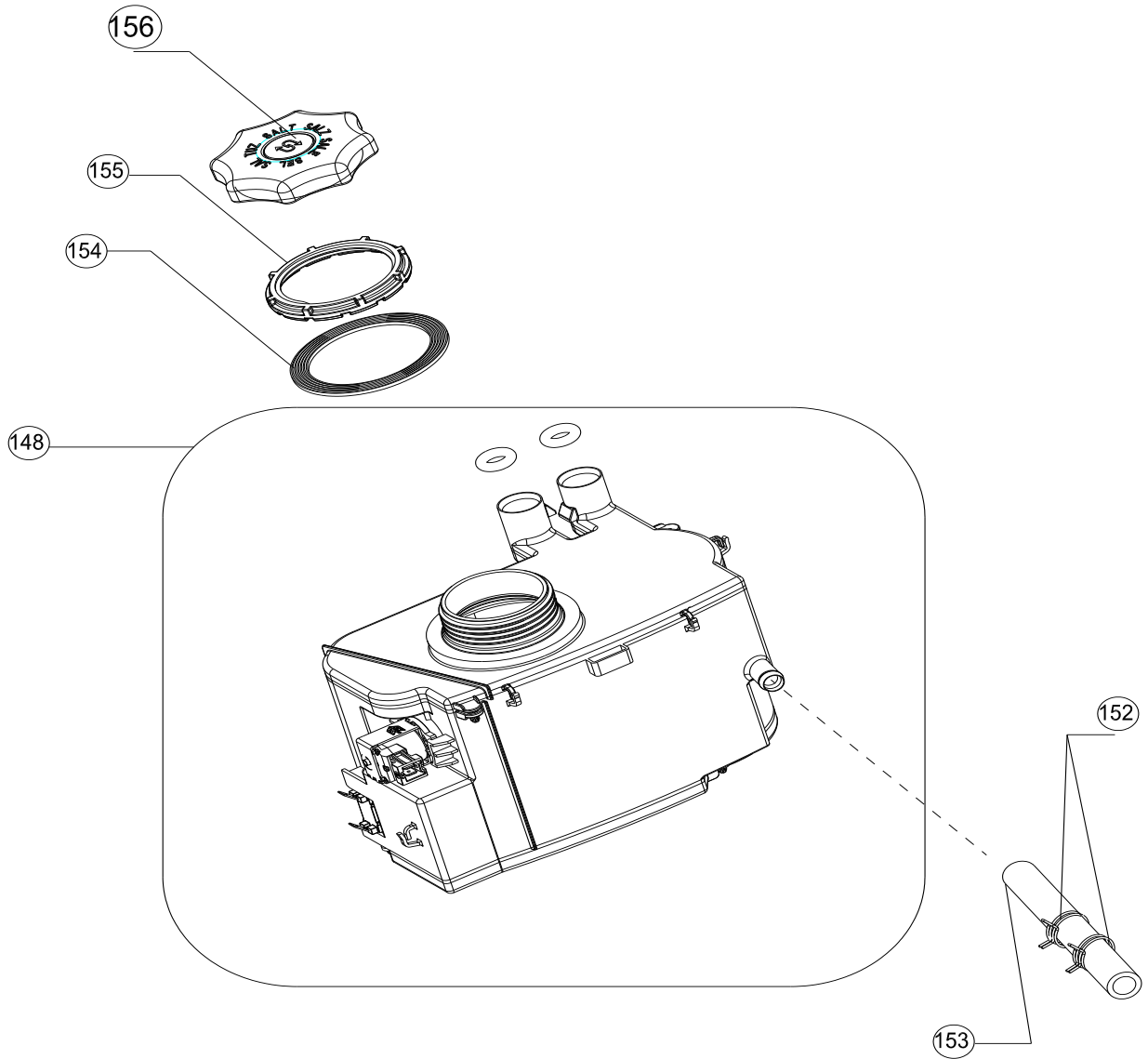
| NO  | PART NAME                                |
|-----|--|
| 350 | UPPER BASKET GROUP-82 (351 - 352 - 355 ) |
| 351 | MUG SHELVE                               |
| 352 | UPPER BASKET WHEEL GROUP                 |
| 355 | PLASTIC HANDLE                           |

APRIL 2012

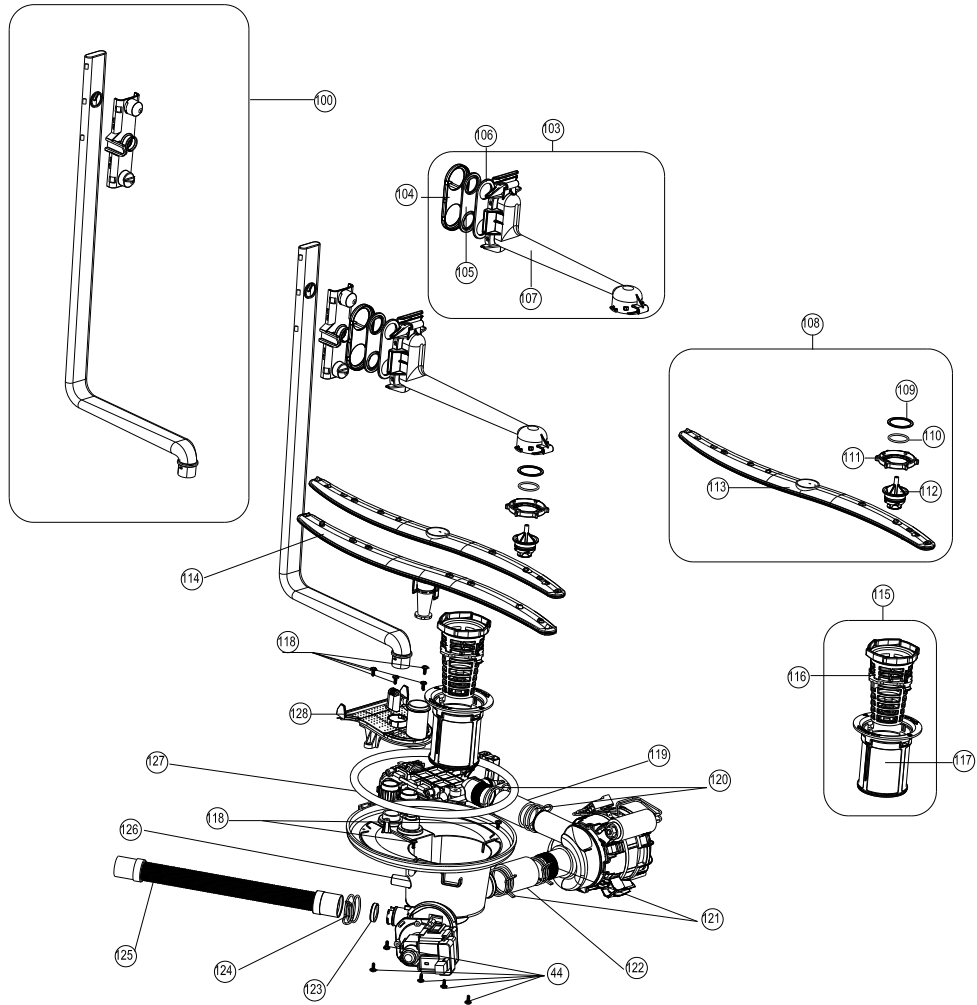
# CONTROL PANEL GROUP



| NO  | PART NAME  | QUANTITY |
|-----|--|----------|
| 200 | CON.PAN.GROUP ( 201-202-203-204-205-206-207-208-209-210-215-216-219-220-221-222-223-224-42 ) | 1        |
| 201 | CON.PAN.PRINTED  | 1        |
| 202 | KNOB GR  | 1        |
| 203 | HANDLE   | 1        |
| 204 | ELECTRONIC BUTTON-1  | 1        |
| 205 | ELECTRONIC BUTTON SHAFT-1  | 1        |
| 206 | LIGHT CARRIER-2  | 1        |
| 207 | ROTARY SWITCH CONNECTION PLS.  | 1        |
| 208 | ROTARY SWITCH  | 1        |
| 209 | PCB BOX-1 BODY   | 1        |
| 210 | PCB BOX-1 REAR COVER   | 1        |
| 211 | ELECT.CARD   | 1        |
| 212 | ROTARY SWITCH CABLE  | 1        |
| 213 | ON/OFF SWITCH  | 1        |
| 214 | ON/OFF BUTTON  | 1        |
| 215 | ELECTRONIC BUTTON-2  | 3        |
| 216 | ELECTRONIC BUTTON SHAFT-2  | 3        |
| 219 | LIGHT CARRIER-1/4  | 1        |
| 220 | LIGHT GUIDE- 3   | 1        |
| 221 | DISPLAY LIGHT CARRIER  | 1        |
| 222 | DISPLAY BUTTON " - "   | 1        |
| 223 | DISPLAY BUTTON " + "   | 1        |
| 224 | DISPLAY BOARD BOX  | 1        |
| 225 | DISPLAY CARD   | 1        |
| 226 | LED DISPALY CABLE  | 1        |
| 227 | FRONT ESTHETICS LATH/SILVA   | 4        |
| 228 | FRONT ESTHETICS LATH/SILVA/GR  | 1        |
| 42  | SCREW PT3,5X9 YSB  | 7        |

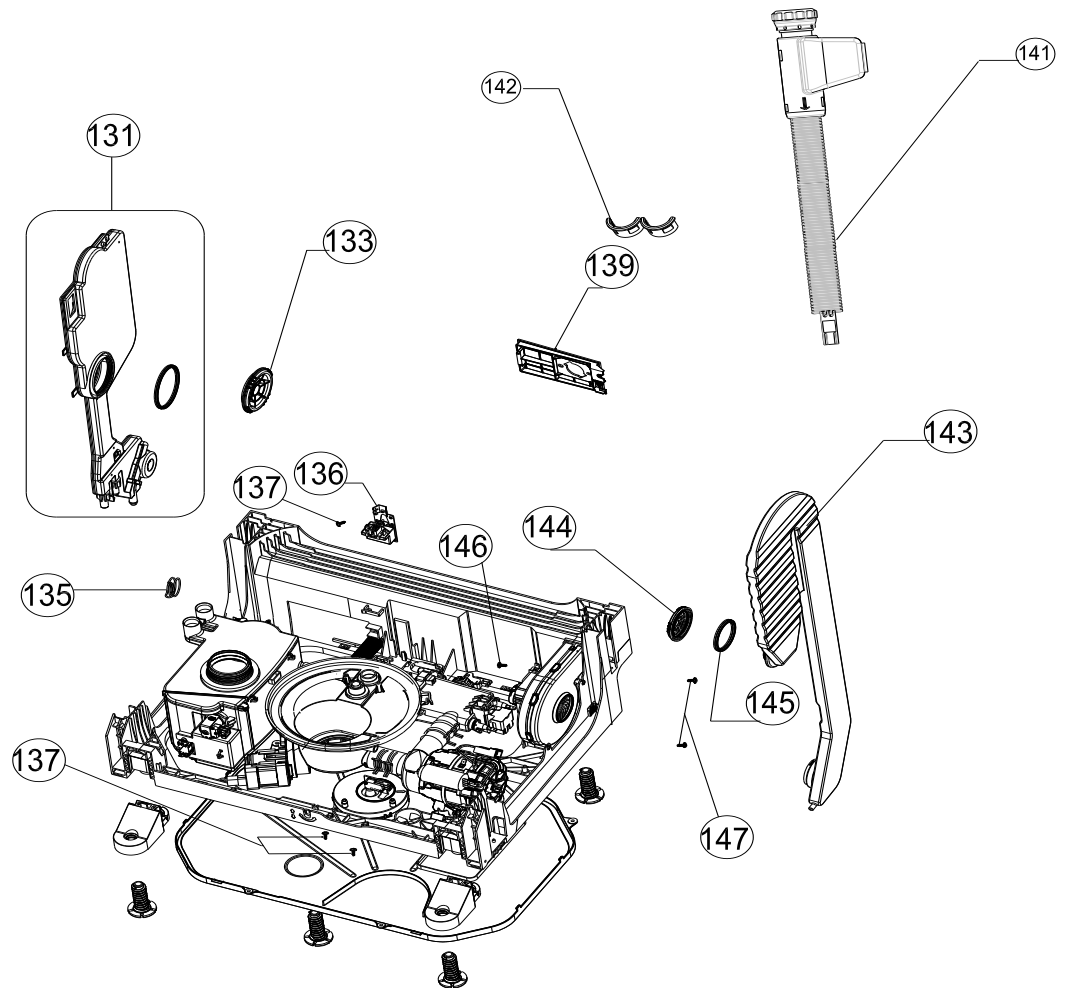


| NO  | PART NAME                                 |
|-----|---|
| 148 | WATER SOFTENER GR.WITH REED RELAY ( 151 ) |
| 152 | CLAMP Dmax19,6X8,8                        |
| 153 | HOSE D12*3*160                            |
| 154 | WATER SOFTENER NUT GASKET                 |
| 155 | WATER SOFTENER NUT                        |
| 156 | SALT CAP GROUP (MAGNETIC VERSION)         |



| NO  | PART NAME  |
|-----|--|
| 100 | UPPER SPRAY ARM FEEDING CANAL GROUP-L            |
| 103 | UPPER SPRAY ARM SUPPORT GROUP( 104-105-106-107 ) |
| 104 | UPPER SPRAY ARM ADAPTER COVER                    |
| 105 | UPPER SPRAY ARM ADAPTER GASKET                   |
| 106 | UPPER SPRAY ARM ADAPTER FLANGE                   |
| 107 | UPPER SPRAY ARM SUPPORT                          |
| 108 | UPPER SPRAY ARM GROUP(113-112-111-110-109)       |
| 109 | UPPER SPRAY ARM NUT PLASTIC                      |
| 110 | UPPER SPRAY ARM SHAFT O-RING                     |
| 111 | UPPER SPRAY ARM NUT                              |
| 112 | UPPER SPRAY ARM SHAFT                            |
| 113 | UPPER SPRAY ARM                                  |

| NO  | PART NAME                    |
|-----|------------------------------|
| 114 | LOWER SPRAY ARM              |
| 115 | MICROFILTER GROUP( 316-317 ) |
| 116 | COURSE FILTER                |
| 117 | MICROFILTER                  |
| 118 | SCREW PT4X12 YSB INOX        |
| 119 | HOSE D28,5X3                 |
| 120 | CLAMP Dmax36,4X14            |
| 121 | CLAMP Dmax41X14,8            |
| 122 | HOSE D33X3                   |
| 123 | KLAPE                        |
| 124 | CLAMP Dmax29,4X11,4)         |
| 125 | DRAIN HOSE 200 CM            |
| 126 | SUMP                         |
| 127 | SUMP SEAL                    |
| 128 | SPRAY ARM SUPPORT            |
| 44  | SCREWPT4X12YSB               |



| NO  | PART NAME                      |
|-----|--------------------------------|
| 131 | AIR BREAK GROUP                |
| 133 | AIR BREAK NUT                  |
| 135 | CLAMP Dmax16,8x8,4             |
| 136 | PARASITE FILTER                |
| 137 | SCREW PT3X9 YSB                |
| 138 | CONCRETE WEIGHT                |
| 139 | BASEMENT HOSE.CON.PLS.         |
| 141 | SAFETY HOSE                    |
| 142 | SAFETY HOSE HOLDER             |
| 143 | STEAM CONDERSER                |
| 144 | STEAM CONDERSER NUT            |
| 145 | STEAM CONDERSER SEALING GASKET |
| 146 | SCREWPT4X14YSB KEY HEAD 7MM    |
| 147 | SCREWPT4X14YSB                 |
| 53  | SCREW 4X42,5 YHB               |

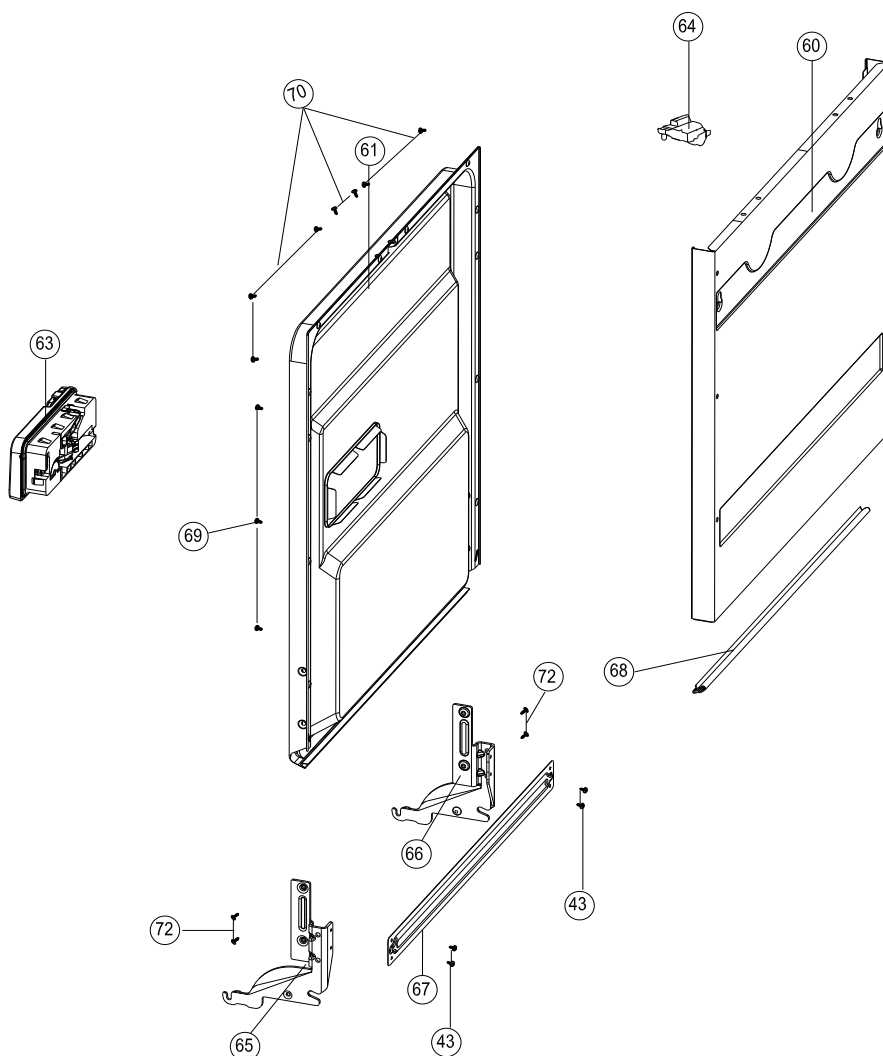


WHITE GOODS

VESTEL DISWASHER MACH .

DOOR GROUP

CUSTOMER  
SUPPORT

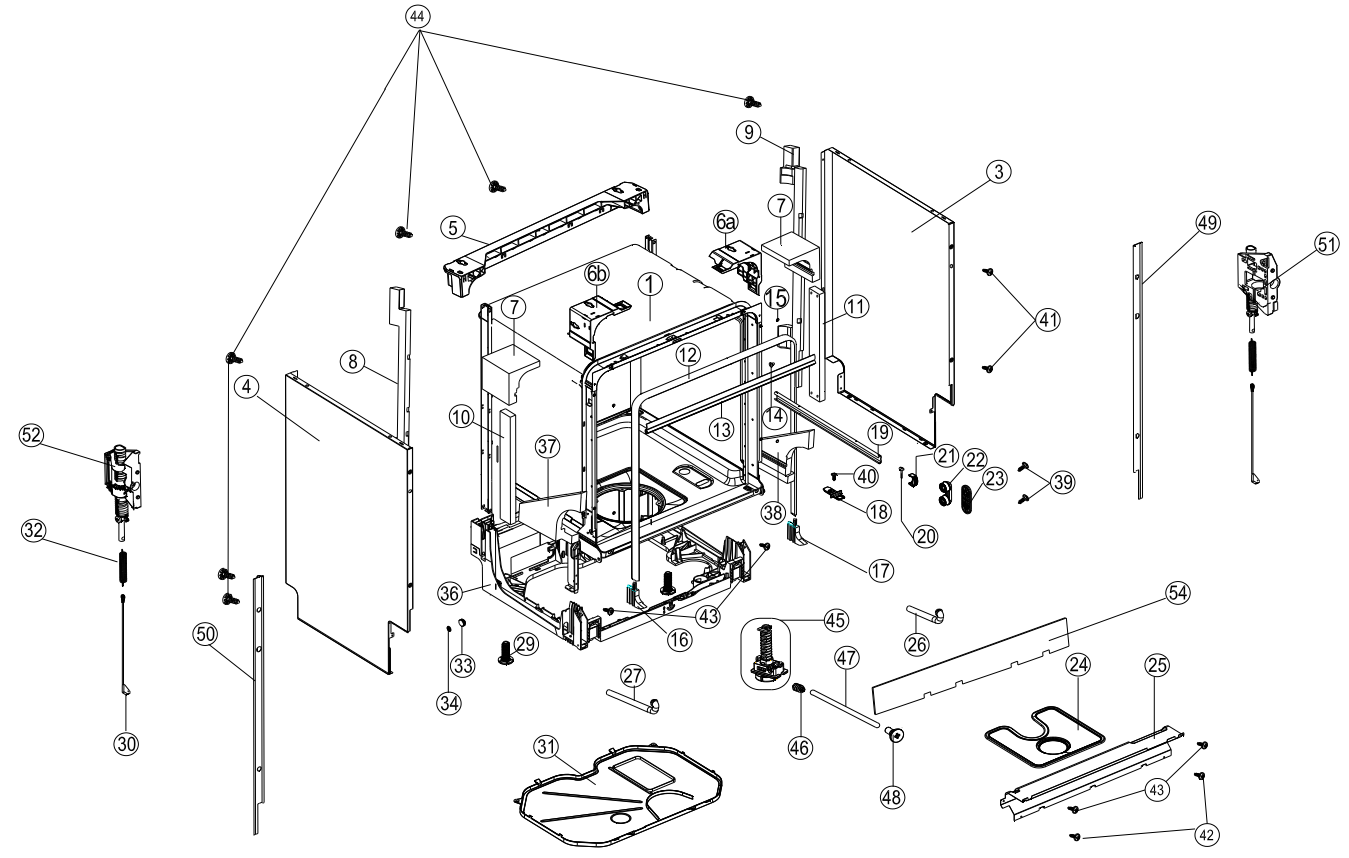


| NO | PART NAME                           |
|----|-------------------------------------|
| 60 | FRONT PANEL-7(A527)PR               |
| 61 | INNER DOOR ASSEMBLY                 |
| 63 | DISPANSER                           |
| 64 | DOOR LOCK                           |
| 65 | HINGE MOVEMENT SHEETIRON LEFT       |
| 66 | HINGE MOVEMENT SHEETIRON RIGHT      |
| 67 | TWISTED SHEETIRON                   |
| 68 | DOOR SEAL                           |
| 69 | SCREW ST 3,9X12 FLAT HEAD INOX      |
| 70 | SCREW PT4X14 FLAT HEAD INOX         |
| 72 | SCREW M5X10 TORK HEAD (S)           |
| 43 | SCREW M4X9 PAN HEAD (S)             |
| 44 | SCREW PT 4X12 PAN HEAD COLLAR CROSS |



**VESTEL DISWASHER MACH .**  
**TUBE ASSEMBLY GROUP**

**CUSTOMER SUPPORT**



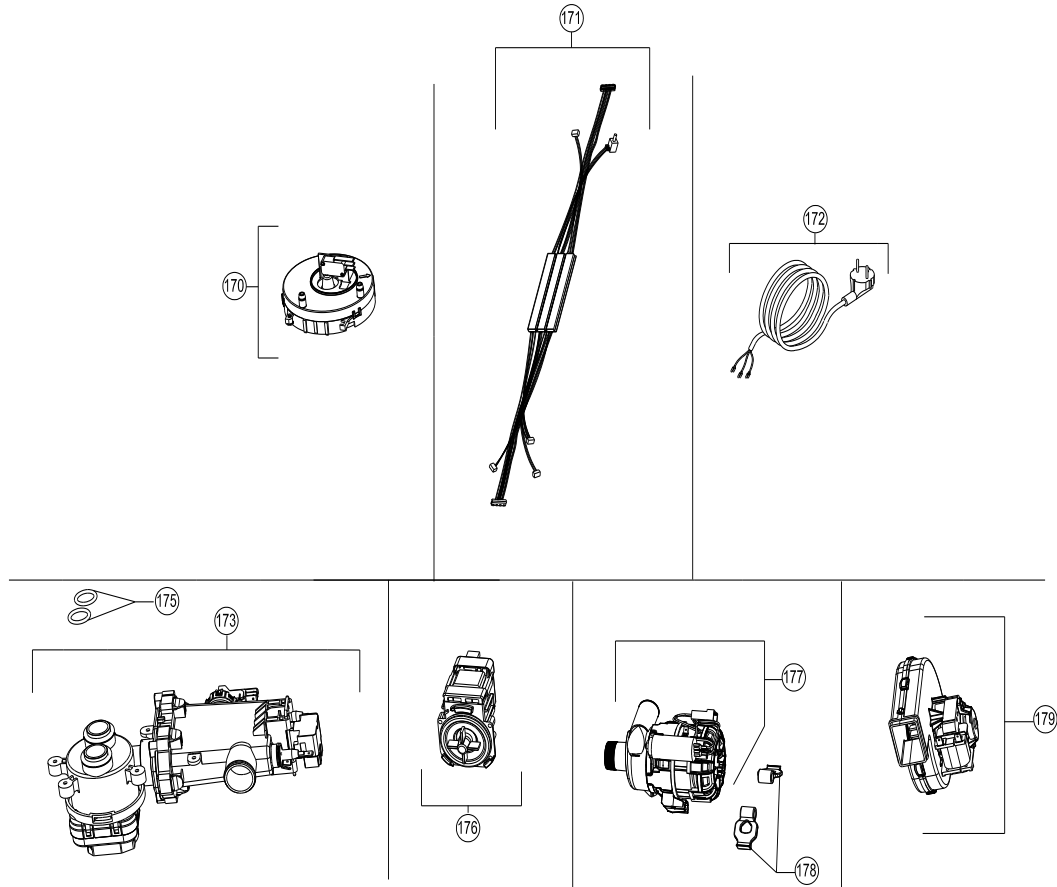
| NO | PART NAME                  |
|----|----------------------------|
| 1  | TUBE ASSEMBLY              |
| 3  | SIDE PANEL SHEETIRON-RIGHT |
| 4  | SIDE PANEL SHEETIRON-LEFT  |

**NOTE-1:** The spare part with poz no 14 is not valid from 06.2011  
**NOTE-2:** The spare part with poz no 16 and 17 is not valid from 29.05.2012  
**NOTE-3:** The spare part with poz no 15 is not valid from 09.07.2012

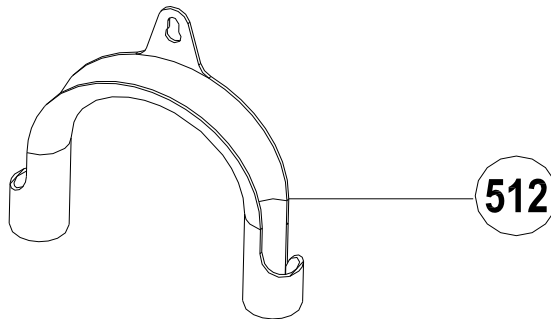
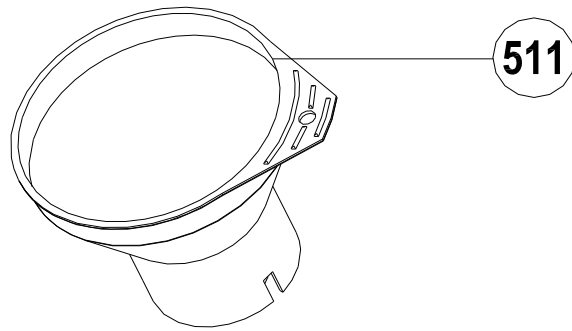
| NO | PART NAME                                 |
|----|---|
| 5  | REAR UPPER PLS.CROSS BAR                  |
| 6a | UPPER TRAY SUPPORT PART-RIGHT             |
| 6b | UPPER TRAY SUPPORT PART-LEFT              |
| 7  | TUB TOP CORNER STYROFOAM                  |
| 8  | BACK CROSS BAR STYROFOAM-LEFT             |
| 9  | BACK CROSS BAR STYROFOAM-RIGHT            |
| 10 | FRONT CROSS BAR STYROFOAM-LEFT            |
| 11 | FRONT CROSS BAR STYROFOAM-RIGHT           |
| 12 | TUB GASKET                                |
| 13 | TOB TUB GASKET                            |
| 14 | TUB HOLE PLUG                             |
| 15 | SIDE PANEL FRONT CROSS BAR SCREW CUPS     |
| 16 | BOTTOM CORNER GASKET-LEFT                 |
| 17 | BOTTOM CORNER GASKET-RIGHT                |
| 18 | LATCH DOOR                                |
| 19 | UPPER BASKET RAIL                         |
| 20 | UPPER BASKET STOPPER-REAR                 |
| 21 | UPPER BASKET RAIL LOCK-FRONT              |
| 22 | UPPER BASKET RAIL CON.BRA.GROUP           |
| 23 | UPPER BASKET RAIL CON.BRA.GROUP           |
| 24 | METAL/PLASTIC FILTER                      |
| 25 | KICK PLATE SHEETIRON                      |
| 26 | OVERFLOW PIECE FROM TUB WITH HOSE/300MM   |
| 27 | OVERFLOW PIECE FROM TUB WITH HOSE/450MM   |
| 28 | FRONT FOOT CONN.PART                      |
| 29 | ADJUSTED FOOT                             |
| 30 | HINGE CORD GROUP                          |
| 31 | LOWER COVER                               |
| 32 | HINGE SPRING                              |
| 33 | HINGE PULLEY                              |
| 34 | FIXED PULLEYC SEG.                        |
| 36 | BASEMENT                                  |
| 37 | TUB LOWER CORNER STYFROFOAM-LEFT          |
| 38 | TUB LOWER CORNER STYFROFOAM-RIGHT         |
| 39 | SCREW DPT5X20 WN 5451 COLLAR CROSS        |
| 40 | SCREW M4X6 SB                             |
| 41 | SCREW SAC 3,9X7,5 Y                       |
| 42 | SCREW PT3,5X9YSB(F.LI VE T.)              |
| 43 | SCREW PT3,5X9YSB(F.LI VE T.)              |
| 44 | SCREW PT4X12 YSB (F.LI                    |
| 45 | BUILT IN ADJUSTMENT MECHANISM             |
| 46 | BUILT IN WORM GEAR                        |
| 47 | BUILT IN HEIGHT MEC.AXLE                  |
| 48 | BUILT IN ADJUSTMENT MEC.FRONT COVER       |
| 49 | TUB BORDER GASKET-RIGHT                   |
| 50 | TUB BORDER GASKET-LEFT                    |
| 51 | BUILT IN HINGE SPRING ADJUSTMENT GR.RIGHT |
| 52 | BUILT IN HINGE SPRING ADJUSTMENT GR.RIGHT |
| 54 | BASEMENT FRONT COVER                      |

JULY 2012

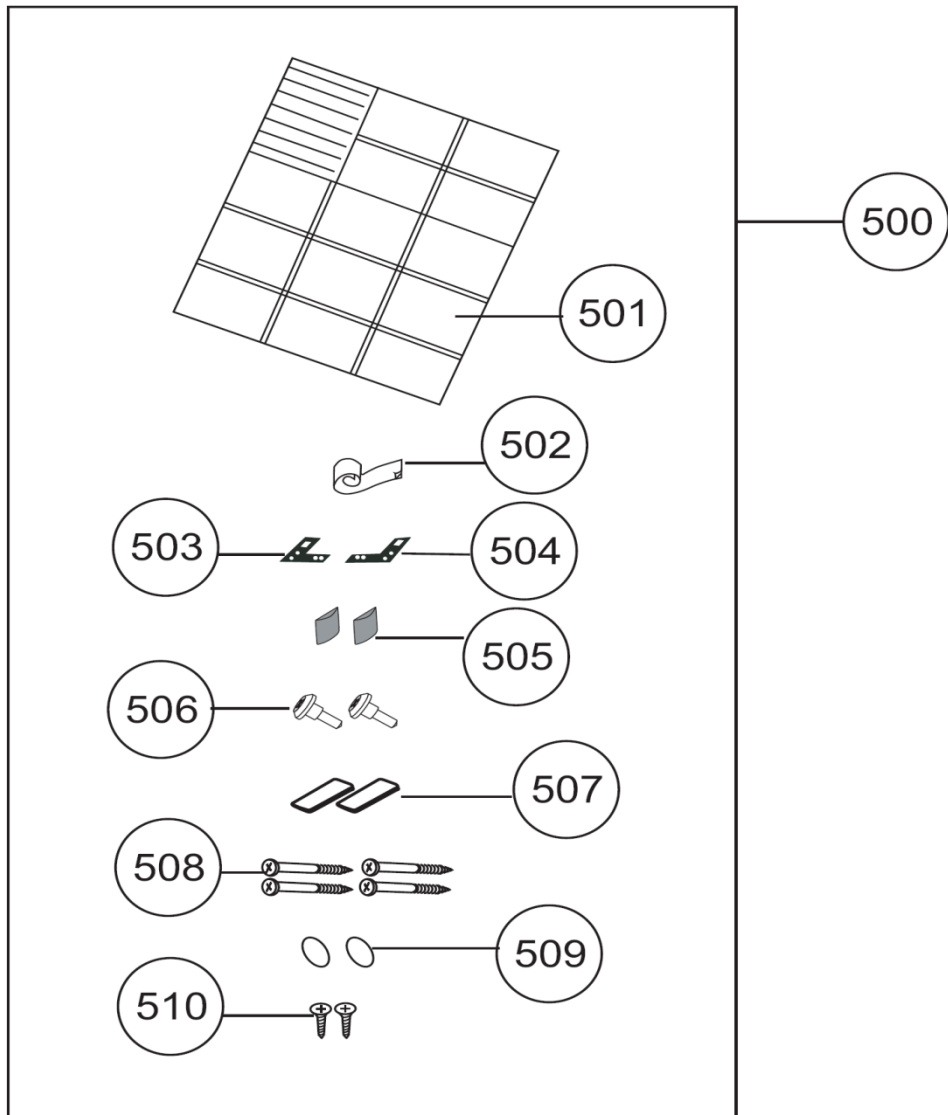
**COMPONENTS**



| NO  | PART NAME                   |
|-----|-----------------------------|
| 170 | FLOATER                     |
| 171 | CABLE HARNESS               |
| 172 | POWER CABLE 180cm/WHITE     |
| 173 | HEATER CASING WITH DIVERTER |
| 175 | HEATER CASING O-RING        |
| 176 | DRAIN PUMP                  |
| 177 | WASHING PUMP                |
| 178 | WASHING PUMP VINE SUPPORT   |
| 179 | TURBO FAN                   |



| NO  | PART NAME            |
|-----|----------------------|
| 511 | SALT FUNNEL          |
| 512 | DRAIN HOSE COAT RACK |



| NO  | PART NAME                               |
|-----|---|
| 500 | INTEGRATED TOOL GR/SILVA                |
| 501 | FITTING PLAN/SILVA                      |
| 502 | STEAM HOLDER FOLYO                      |
| 503 | FITTING S.IRON FOR BENCH-LEFT/COVERING  |
| 504 | FITTING S.IRON FOR BENCH-RIGHT/COVERING |
| 505 | SIDE STOPPER STICKER                    |
| 506 | FITTING SCREW FOR WOOD                  |
| 507 | WOOD STOPPER STICKER                    |
| 508 | SCREW 4X42,5 YHB                        |
| 509 | SPRING ADJ.MEC.HOLE FLAP                |
| 510 | SCREW 4X15 YHB                          |