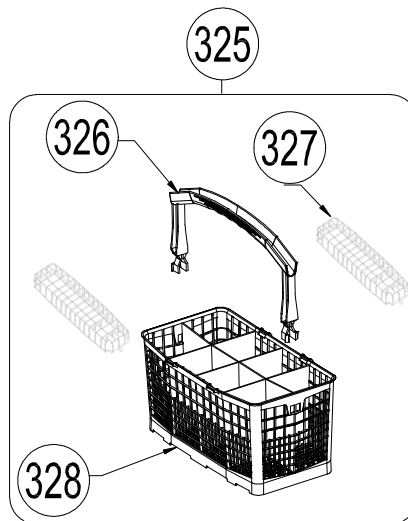
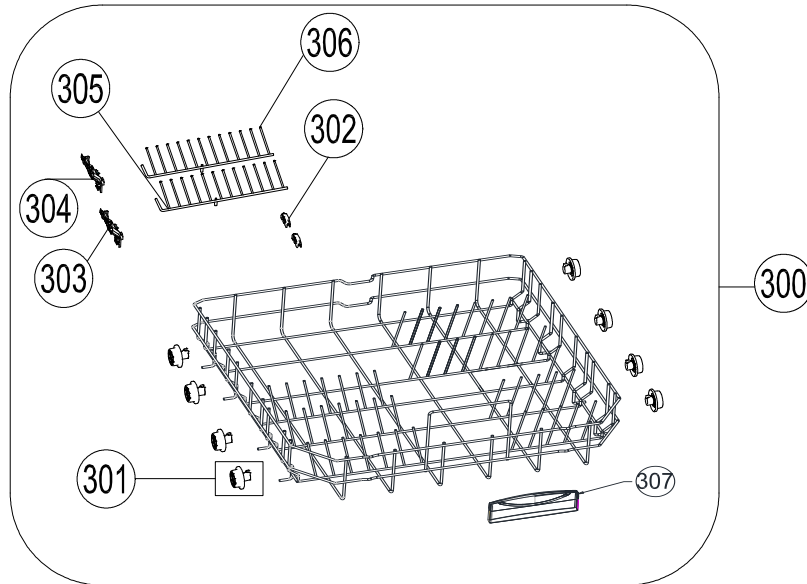


**VESTEL**

WHITE GOODS

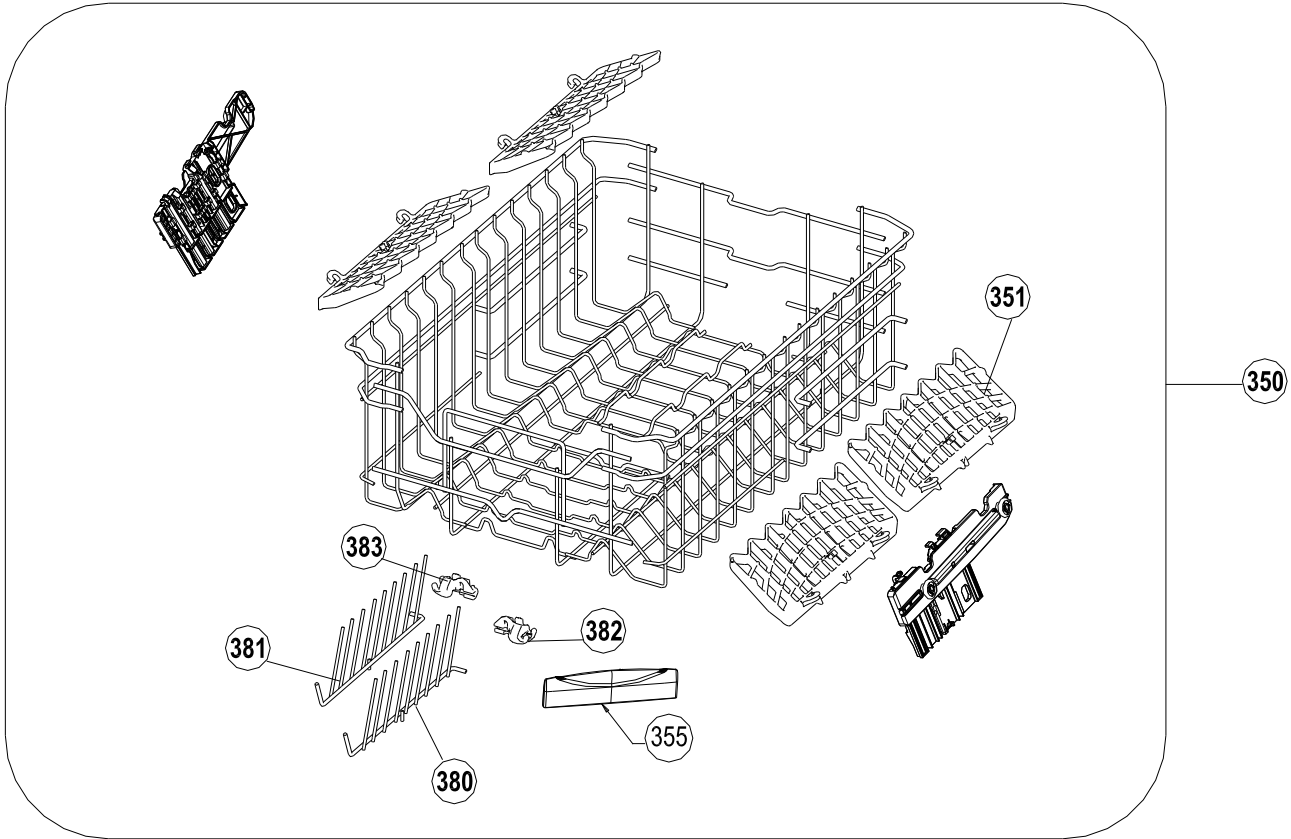
VESTEL DISWASHER MACH

LOWER BASKET GROUP

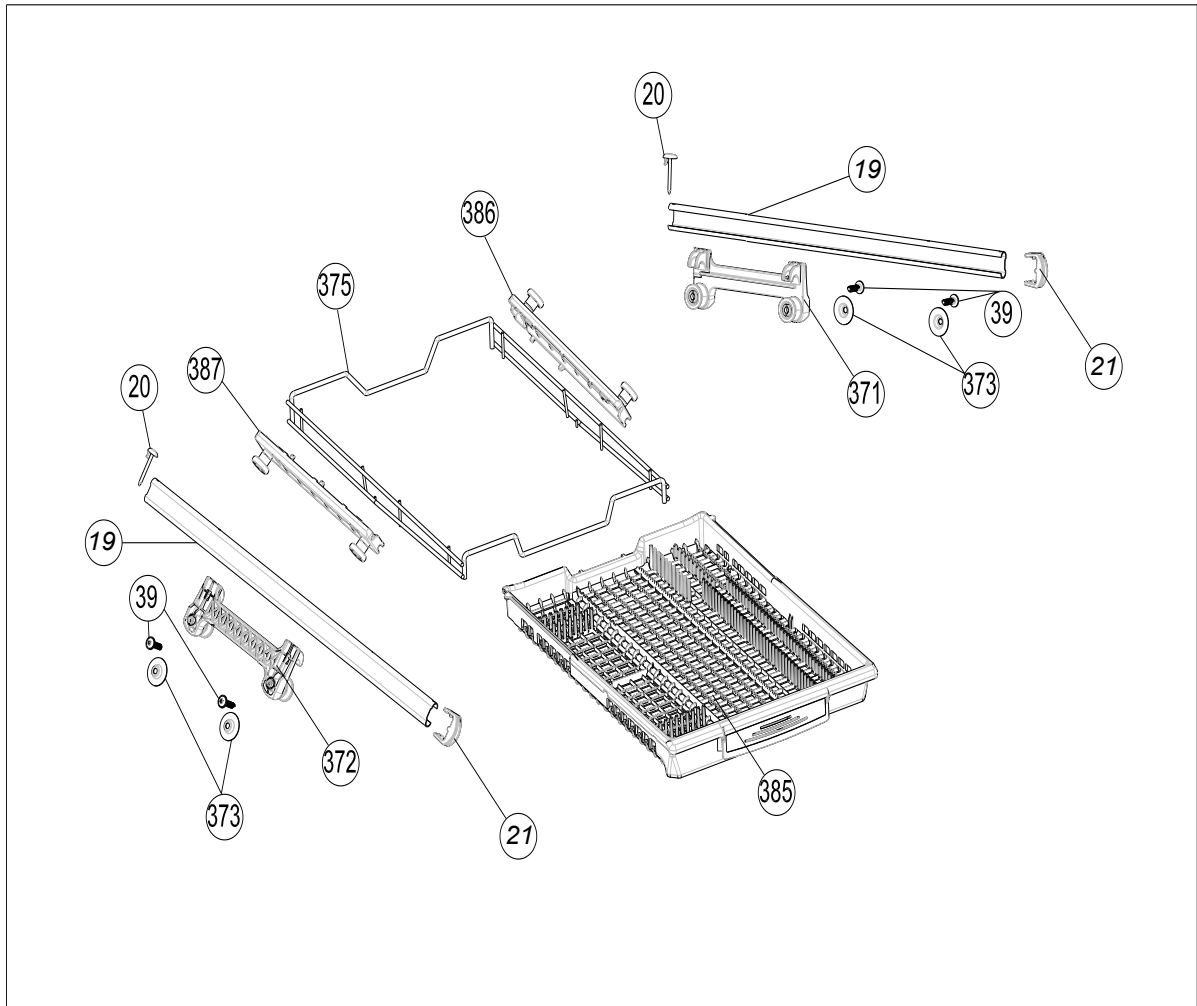
CUSTOMER  
SUPPORT

NO	PART NAME
300	LOWER BASKET GR 2 FOLD.SPIKES ( 301-302-304-306)
301	LOWER BASKET WHEEL GROUP
302	FOLDABLE COMBS HOLDER PLASTIC
303	FOLDING SPIKES MECHANISM-RIGHT RAL 7046
304	FOLDING SPIKES MECHANISM-LEFT RAL 7046
305	FOLDDOWN COMB-RIGHT-R7452
306	FOLD DOWN COMB-LEFT
307	LOWER BASKET PLASTIC HANDLE-RAL 7046
325	PLASTIC SET BASKET ( 326-327-328 )
326	PLASTIC BASKET HANDLE
327	PLASTIC BASKET COVER
328	PLASTIC BASKET

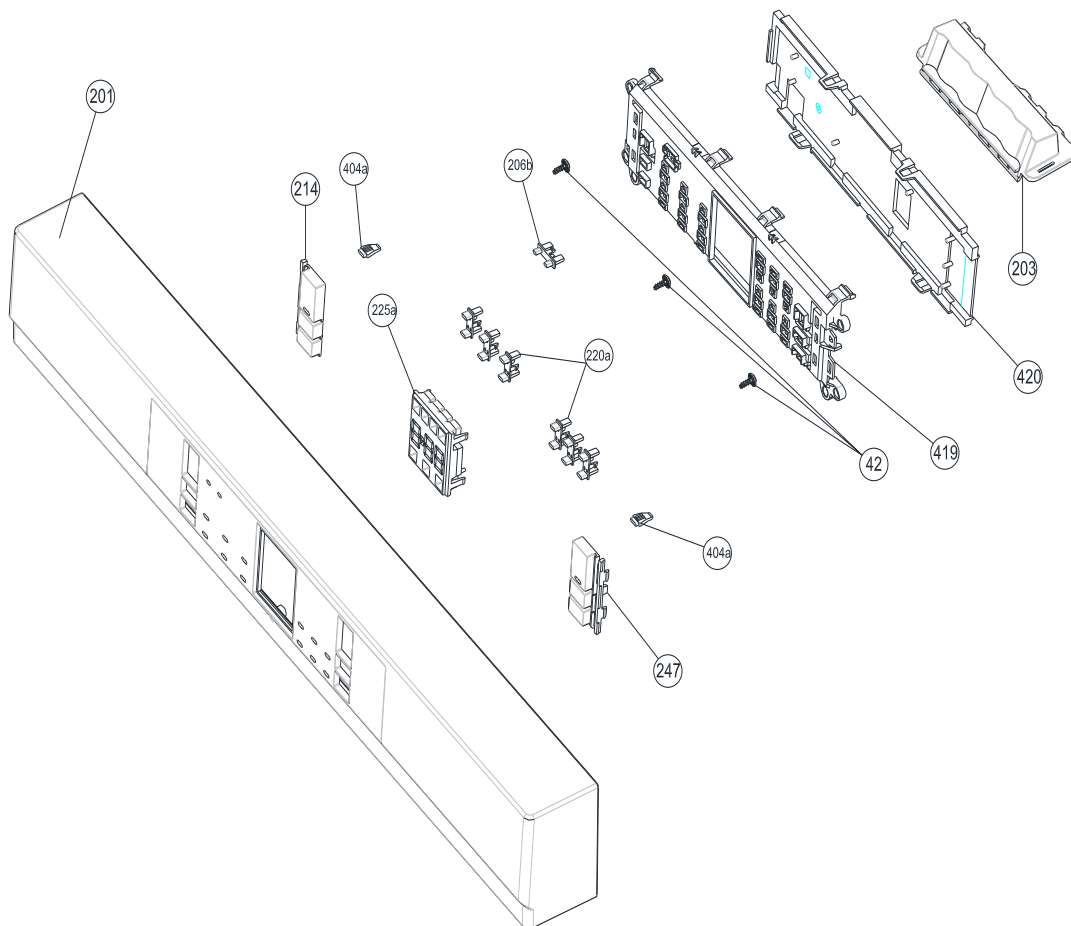
MAY 2018



NO	PART NAME
350	UPPER BASKET GROUP-82 (381-355-382-383-351)
351	MUG SHELVE
355	PLASTIC HANDLE
380	FOLDDOWN COMB-RIGHT
381	FOLDDOWN COMB-LEFT
382	FOLDING SPIKES MECHANISM-RIGHT
383	FOLDING SPIKES MECHANISM-LEFT



NO	PART NAME
20	UPPER BASKET STOPPER-REAR-RAL 7046
39	SCREW PT5X20 TORX WITH RONDELA
19	3.BASKET RAIL(40,4*0,8)
371	3.BASKET BRACKET GR-RIGHT
372	3.BASKET BRACKET GR-LEFT
373	3.BASKET BRACKET WASHER
21	3.BASKET RAIL LOCK-FRONT
375a	3B/45 WIRE MESH GR(ORTAK RAY)
375	3B/45 FRAMEWORK WIRE APPARATUS-R7452
384	3B/45 BASKET SHELF GR-PATTERN ( 385 - 375 )
385	3B/45 BASKET SHELF
386	3.BASKET WHEEL HOLDER GR-RIGHT
387	3.BASKET WHEEL HOLDER GR-LEFT



NO	PART NAME
<b>200</b>	<b>CON.PAN.GR (201-241-242)</b>
201	CO.PA.GR.SRGF
203	HANDLE
42	SCREW PT3,5X9 YSB
247	START/PAUSE BUTON/ANGEL/A2
214	ON/OFF BUTON/ANGEL/A1DIS-A2
225a	DISPLAY MODUL
404a	BUTON LIGHTGUIDE/ANGEL
206a	LIGHTGUIDE/PROGRAME/ANGEL/A1-A2
206b	LIGHTGUIDE/TUZ-PAR/ANGEL/A1DIS-A2
220a	LIGHTGUIDE/PRG/ANEMON/A1-A2 2/3LÜ
419	PCB BOX
420	PCB BOX COVER

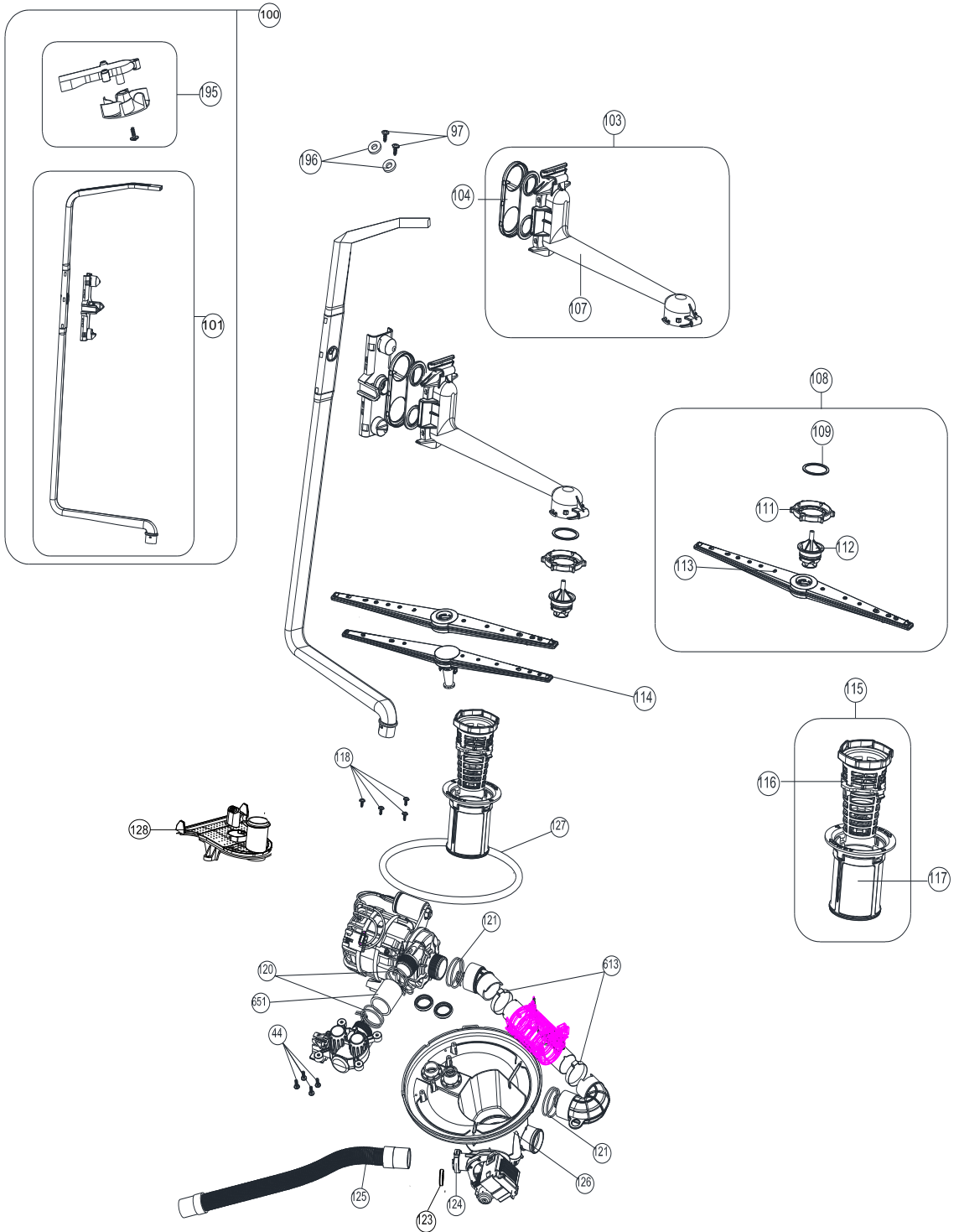
# VESTEL

WHITE GOODS

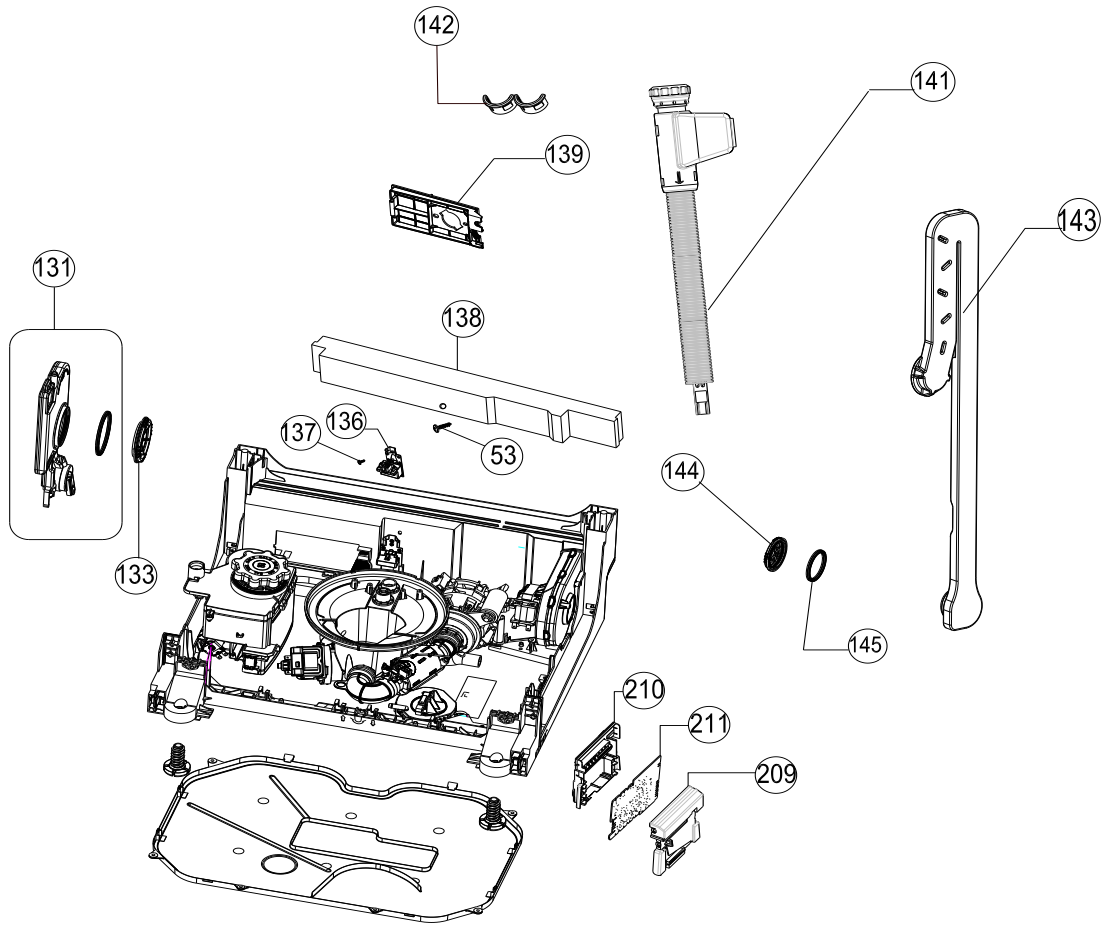
## VESTEL DISWASHER MACH .

### UPPER HDYROLIC GROUP

## CUSTOMER SUPPORT



NO	PART NAME
<b>100</b>	<b>UPPER SPRAYARM FEEDING CAN-C-1 GR(101-195)</b>
101	UPPER SPRAY ARM FEEDING CANAL-C-1-5mm
<b>103</b>	<b>UPPER SPRAY ARM SUPPORT GR-RAL 7046 ( 104-105-106-107 )</b>
104	UPPER SPRAY ARM ADAPTER COVER-RAL 7046
107	UPPER SPRAY ARM SUPPORT-RAL 7046
<b>108</b>	<b>UPPER SPRAY ARM GR-RAL 7046 (113-112-111-109)</b>
109	UPPER SPRAY ARM NUT PLS D28XT1,2
111	UPPER SPRAY ARM NUT-RAL 7046
112	UPPER SPRAY ARM SHAFT-RAL 7046
113	UPPER SPRAY ARM-RAL 7046
114	LOWER SPRAY ARM-RAL 7046
<b>115</b>	<b>MICROFILTER GR-SHEET/RAL 7046 ( 316-317 )</b>
116	COURSE FILTER-RAL 7046
117	MICROFILTER-SHEET/RAL 7046
118	SCREW PT4X12 YSB INOX
120	CLAMP Dmax36,4X14
121	CLAMP Dmax41X14,8
651	HOSE D28,5X3X38,5 - (motor - diverter)
123	KLAPE
124	CLAMP Dmax29,4X11,4)
125	DRAIN HOSE 200 CM
<b>126a</b>	<b>SUMP GR/60/FT/DIV-SENSÖRLÜ-AU (76-123-152-153-44-175-197-126)</b>
126	SUMP
127	SUMP SEAL
128	SPRAY ARM SUPPORT
195	IMPELLER GR
196	TOP TUB RUBBER
97	SCREW PT4x8 YSB (F.LI)
44	SCREW PT4X12YSB



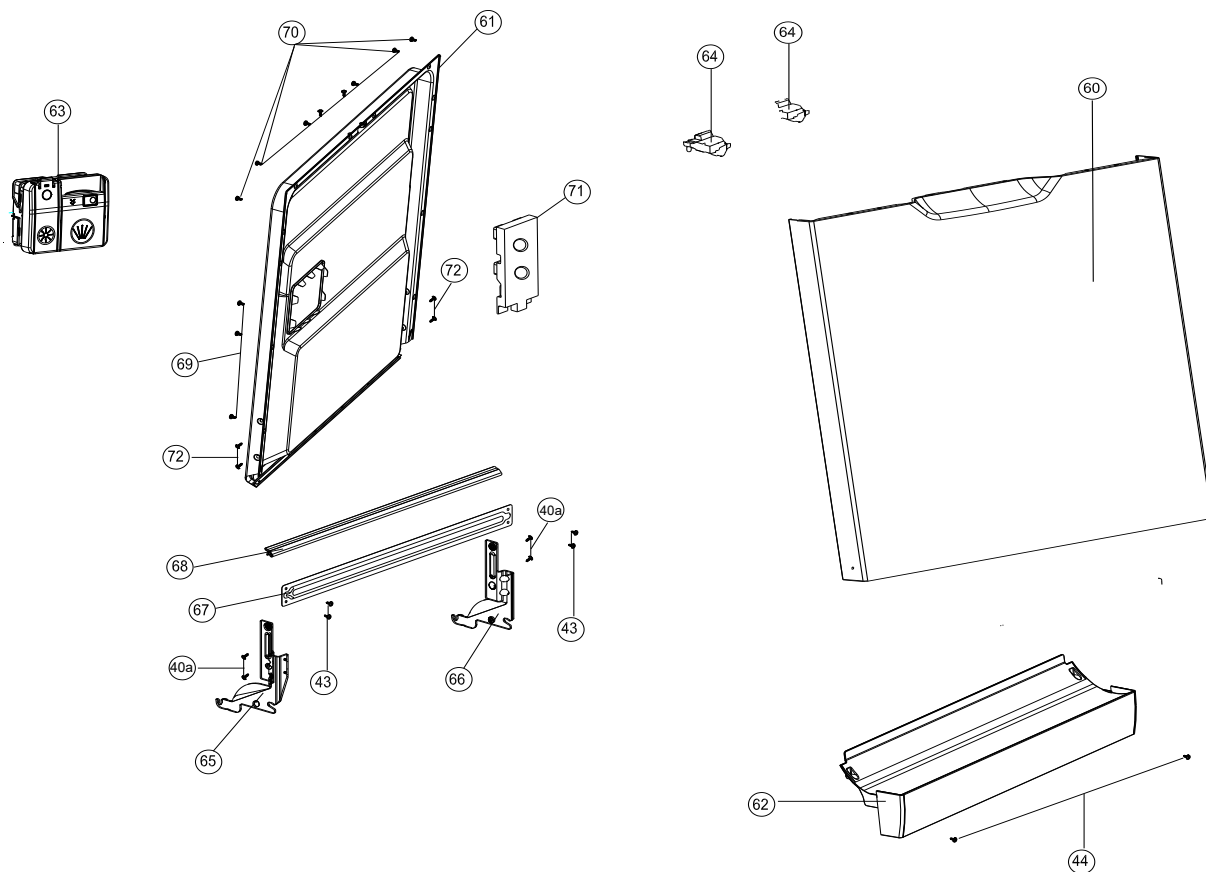
NO	PART NAME
131	AIR BREAK GROUP
133	AIR BREAK NUT
136	PARASITE FILTE
137	SCREW PT3X9 YSB
138	CONCRETE WEIGHT
141a	SAFETY HOSE GR. (141-139-142)
139	BASEMENT HOSE.CON.PLS.
141	SAFETY HOSE
142	SAFETY HOSE HOLDER
143	STEAM CONDENSER
144	STEAM CONDENSER NUT
145	STEAM CONDENSER SEALING NUT
53	SCREW 4X42,5 YHB
209	PCB BOX
210	PCB BOX COVER
211	ELECT CARD

**VESTEL**

WHITE GOODS

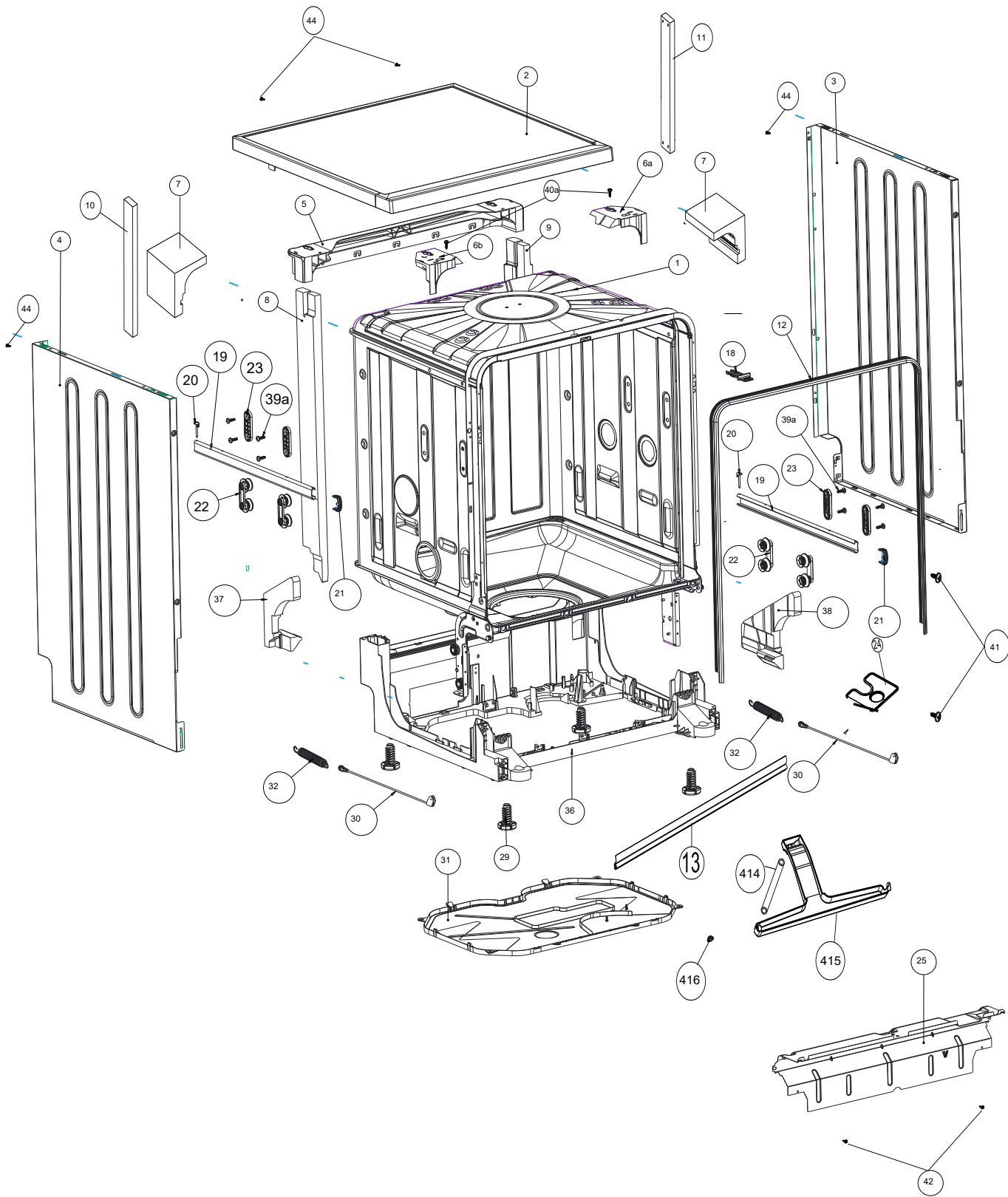
VESTEL DISWASHER MACH .

DOOR GROUP

CUSTOMER  
SUPPORT

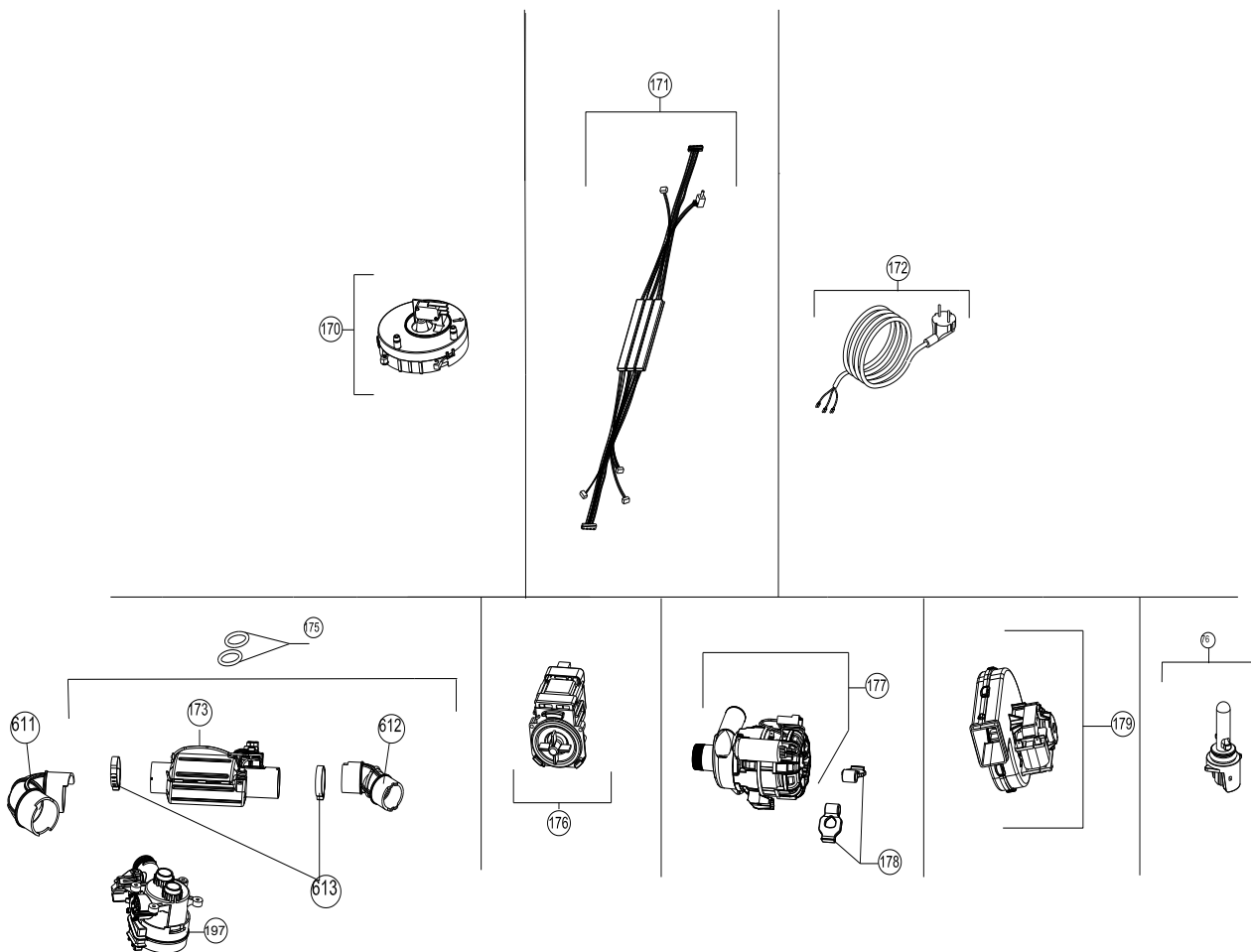
NO	PART NAME
60	DOOR OUTSIDE
61	DOOR INSIDE SHEETIRON GROUP
62	PLASTIC KICK PLATE
63	DISPANSER WITHOUT REED RELAY
64	DOOR LOCK
65	HINGE MOVEMENT SHEETIRON LEFT
66	HINGE MOVEMENT SHEETIRON RIGHT
67	TWISTED SHEETIRON
68	DOOR SEAL
69	SCREW ST 3,9X12 FLAT HEAD INOX
70	SCREW PT4X14 FLAT HEAD INOX
71	DOOR SUPPORT STYROFOAM
72	SCREW M5X10 TORK HEAD (S)
43	SCREW M4X9 PAN HEAD (S)
44	SCREW PT 4X12 PAN HEAD COLLAR CROSS
40a	SCREW M4X6 YSB SPIRAL

MAY 2018



NO	PART NAME
1	TUBE ASSEMBLY
2	UPPER TRAY GROUP
3	FLAT/SIDE PANEL SHEETIRON-RIGHT
4	FLAT/SIDE PANEL SHEETIRON-LEFT
5	REAR UPPER PLS.CROSS BAR
6a	UPPER TRAY SUPPORT PART/RIGHT
6b	UPPER TRAY SUPPORT PART - LEFT
7	TUB TOP CORNER STYROFOAM
8	BACK CROSS BAR STYROFOAM-LEFT
9	BACK CROSS BAR STYROFOAM-RIGHT
10	FRONT CROSS BAR STYROFOAM-LEFT(ND)
11	FRONT CROSS BAR STYROFOAM-RIGHT(ND)
12	TUB GASKET
13	TOP TUB OF GASKET / <b>OPTIONEL</b>
18	LATCH DOOR
19	UPPER BASKET RAIL
20	UPPER BASKET STOPPER-REAR
21	UPPER BASKET RAIL LOCK-FRONT
22	UPPER BASKET RAIL CON.BRA.GROUP
23	UPPER BASKET RAIL CON.BRA -REAR
24	METAL FILTER
25	KICKPLATE SHEETIRON
29	ADJUSTABLE FOOT
30	HINGE CORD GROUP
31	LOWER COVER
32	HINGE SPRING
36	BASEMENT GR/SOLO-2
37	TUB LOWER CORNER STYROFOAM-LEFT
38	TUB LOWER CORNER STYROFOAM-RIGHT
39a	SCREW PT5X20 TORX WITH RONDELA
40a	SCREW M4X6 SB
41	SCREW ST 3.9X9.5 PAN HEAD (S)
42	SCREW PT3,5X9 YSB
44	SCREWPT4X12YSB
414	OVERFLOW PLASTIC HOSE/PVC/UNSTRUNG
415	OVERFLOW PLASTIC
416	BOTTOM TUB OVERFLOW GASKET

**APRIL 2016**



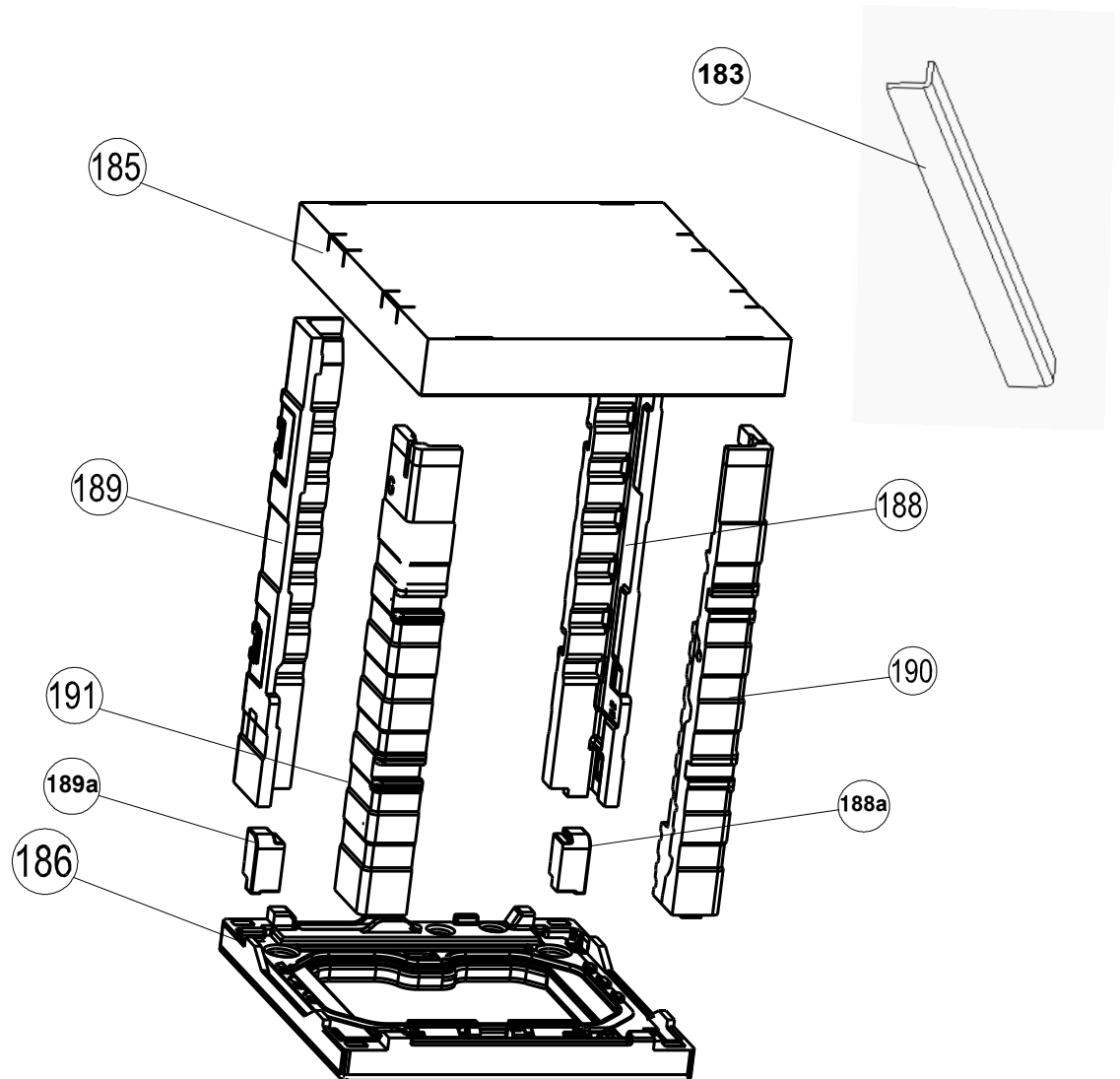
NO	PART NAME
170	FLOATER
171	CABLE HARNESS
172	POWER CABLE 180cm/WHITE
173	HEATER FLOW THROUGH
175	HEATER CASING O-RING
176	DRAIN PUMP
177	WASHING PUMP
178	WASHING PUMP VINE SUPPORT
76	NTC/SLIM
179	TURBOFAN
611	HOSE HEATER-ECO
612	HOSE PUMP-HEATER
613	HOSE HANDCUFFS/FLOW THROUGH
197	DIVERTER

**VESTEL**

WHITE GOODS

VESTEL DISWASHER MACH .

OPTIONAL PARTS

CUSTOMER  
SUPPORT

NO	PART NAME
185	UPPER CARTON
186	BASEMENT STYROFOAM
188	REAR STYROFOAM-RIGHT
189	REAR STYROFOAM-LEFT
190	FRONT STYROFOAM-RIGHT
191	FRONT STYROFOAM-LEFT
189a	REAR CORNER SUPPORT SYTROFOAM-LEFT
188a	REAR CORNER SUPPORT SYTROFOAM-RIGHT
183	L CORNER CARDBOARD

MAY 2018