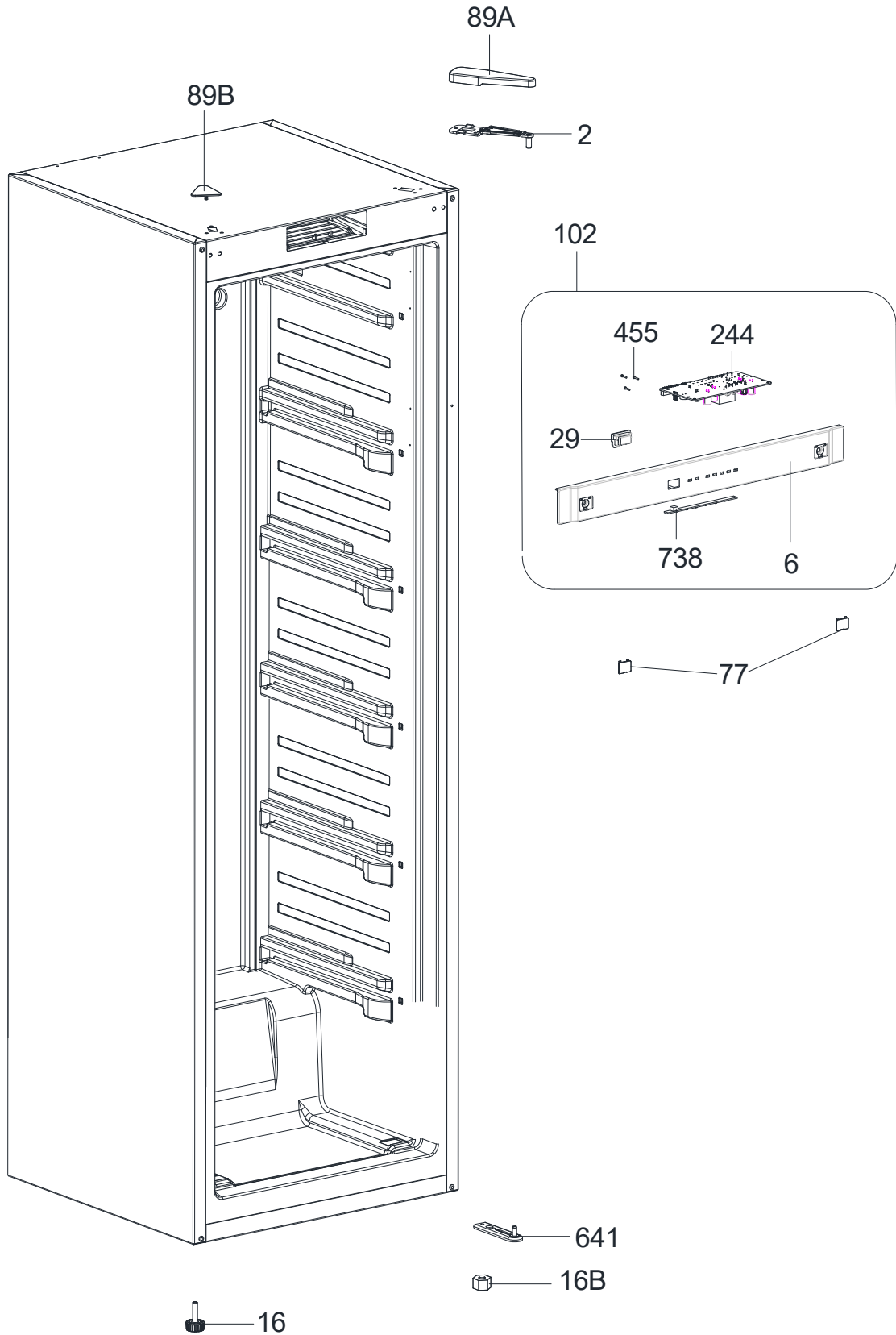


VESTEL
WHITE GOODS

FREEZER - 491 PBD

INTERIOR PARTS

**CUSTOMER
SUPPORT**



VESTEL WHITE GOODS	FREEZER - 491 PBD	CUSTOMER SUPPORT
	INTERIOR PARTS LIST	

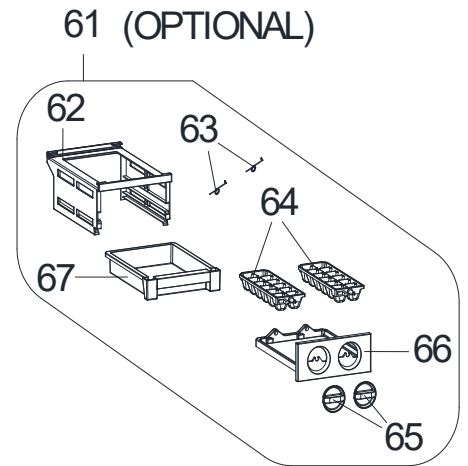
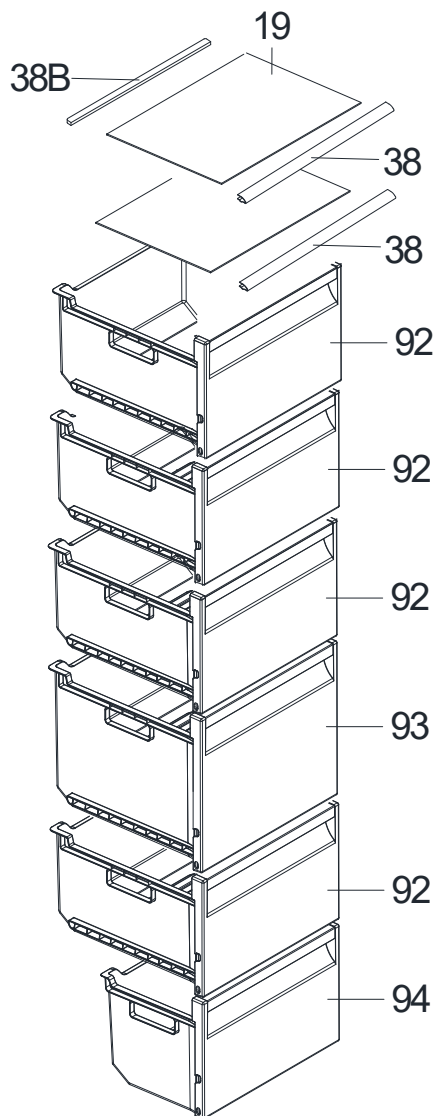
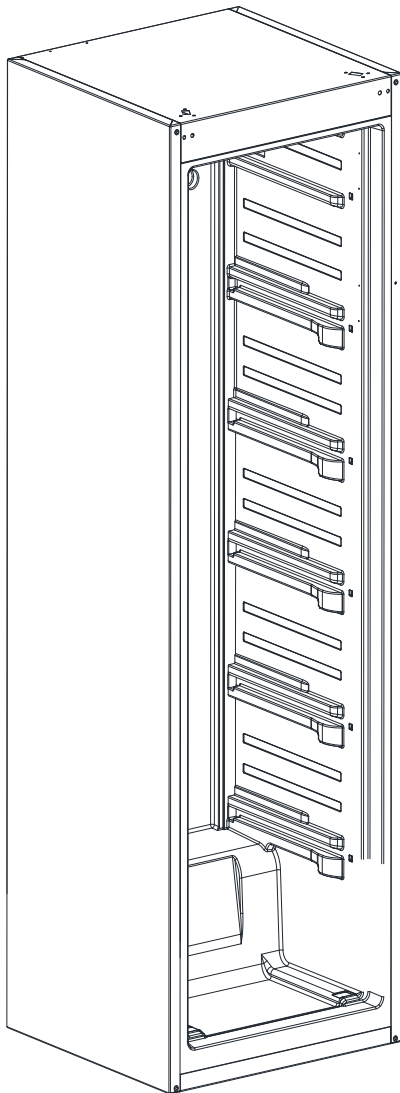
POSITION NUMBER	PART NAME
2	TOP HINGE GR
6	HEAD PANEL
16	ADJUSTABLE FOOT M8X35
16B	ADJUSTABLE STABILIZER FOOT M8
29	THERM. KNOB
77	HEAD PANEL CAP
89A	HINGE COVER
89B	HINGE COVER CAP
102	HEAD PANEL GR
244	MB/BDA5253H/491
455	SCREW KA 30*6 YSB-F
641	BOTTOM HINGE GR/373
738	LED STRIP

VESTEL
WHITE GOODS

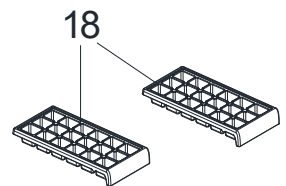
FREEZER - 491 PBD

ACCESSORY PARTS

**CUSTOMER
SUPPORT**



(OPTIONAL)



VESTEL WHITE GOODS	FREEZER - 491 PBD	CUSTOMER SUPPORT
	ACCESSORY PARTS LIST	

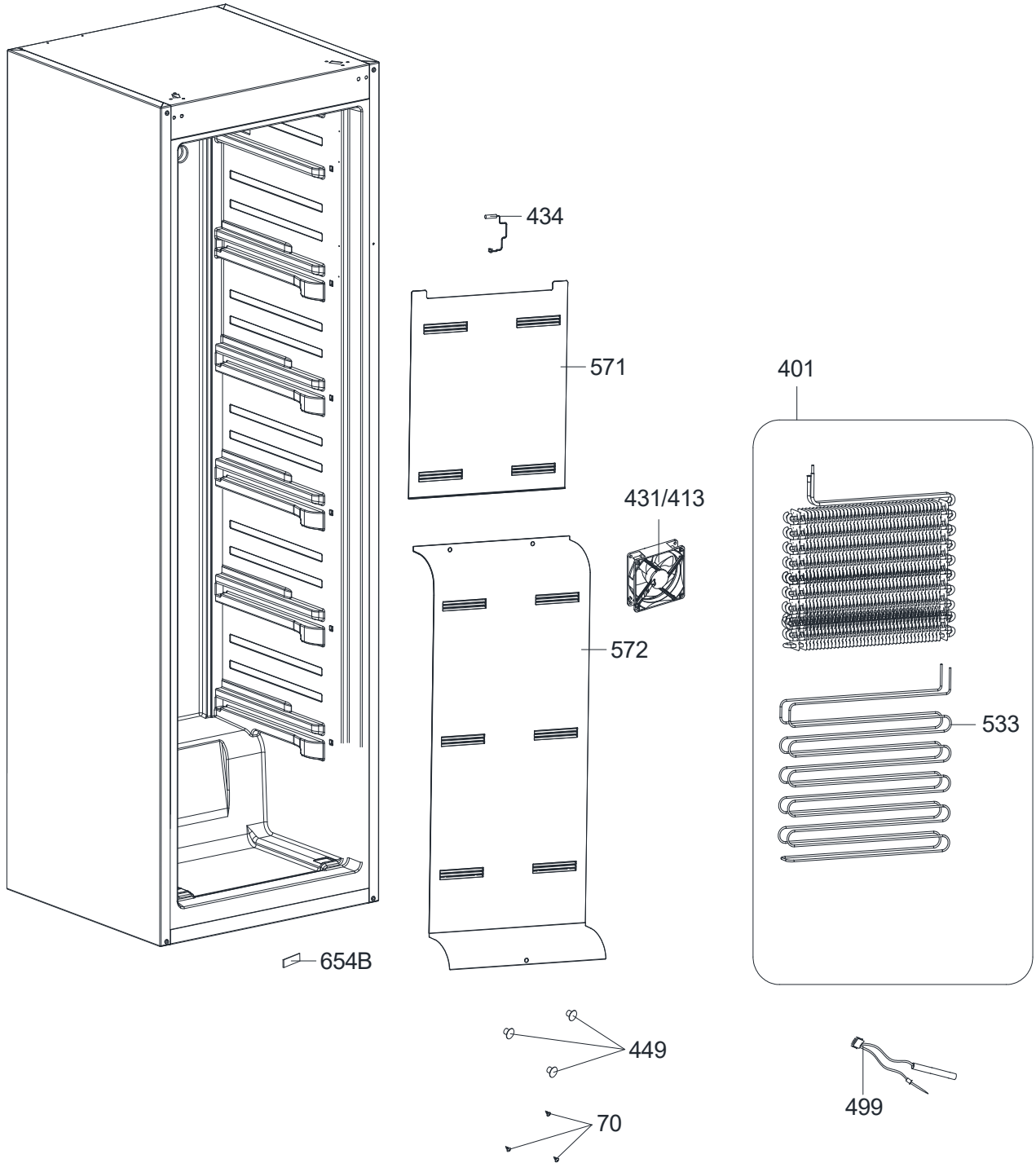
POSITION NUMBER	PART NAME
18	ICE TRAY <i>(OPTIONAL)</i>
19	F GLASS SHELF
38	R.GLASS SHELF TRIM/1600
38B	GLASS SHELF REAR TRIM/491
61	ICEMATIC GR/473 <i>(OPTIONAL)</i>
62	BUZMATIK COVER/473
63	ICE TRAY SPRING
64	ICE TRAY/CUBE
65	ICE TRAY KNOB
66	ICEMATIC FRAME
67	ICE BOX/473
92	F. TOP BASKET GR
93	F. BIG BOX GR
94	F. BOTTOM BASKET GR

VESTEL
WHITE GOODS

FREEZER - 491 PBD

MULTIFLOW PARTS

**CUSTOMER
SUPPORT**



VESTEL WHITE GOODS	FREEZER - 491 PBD	CUSTOMER SUPPORT
	MULTIFLOW PARTS LIST	

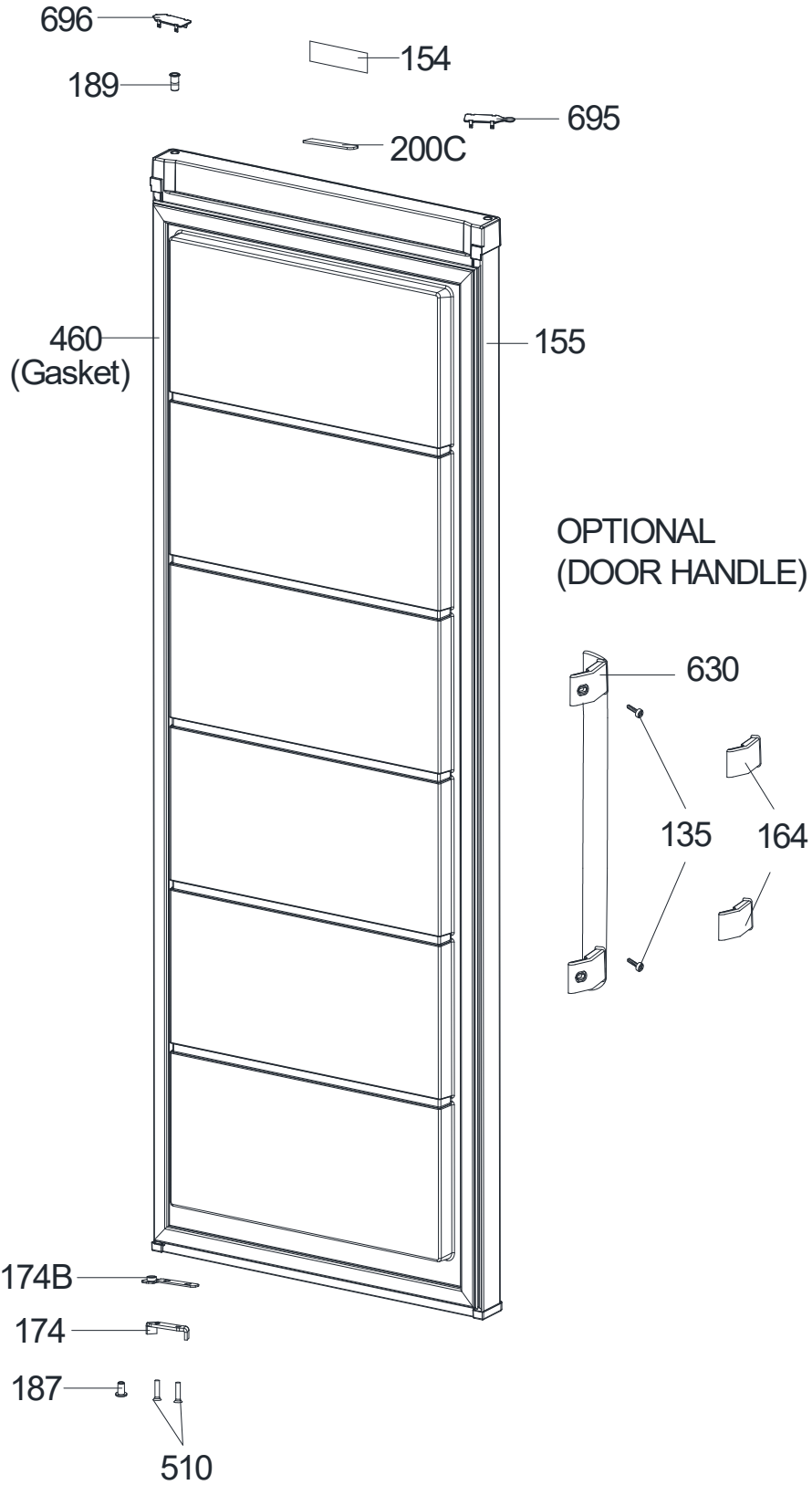
POSITION NUMBER	PART NAME
70	SCREW KA 40*14 YSB-R-F-INOX
401	FIN EVAP.GR
431/413	RADIAL FAN MOTOR
449	R MULTIFLOW CAP
499	TERMAL FUSE
533	FIN EVAP HEATER
571	R MULTIFLOW COVER TOP
572	MULTIFLOW COVER BOTTOM
434	SENSOR/STANDARD/R6K
654B	REED SWITCH GR

VESTEL
WHITE GOODS

FREEZER - 491 PBD

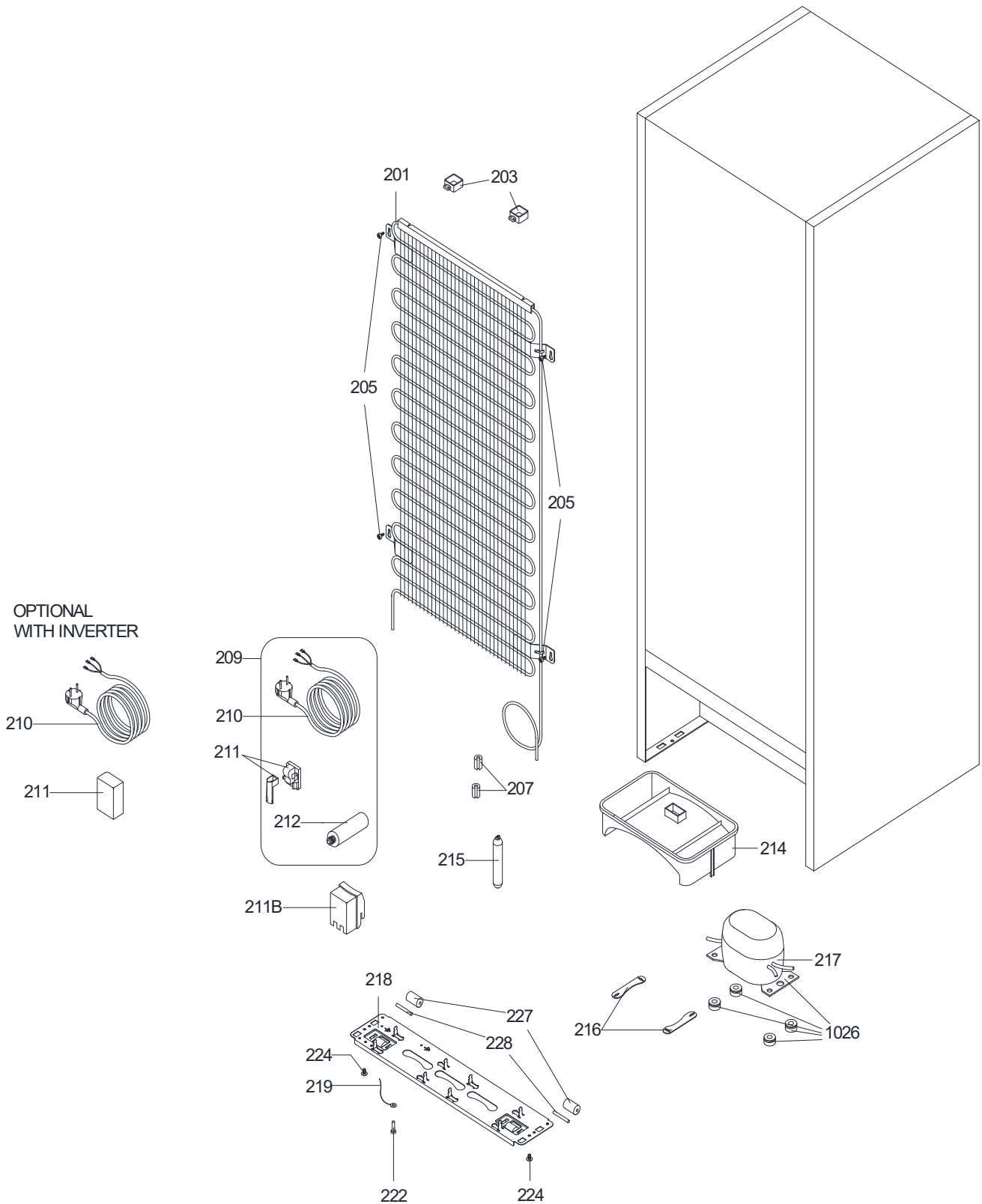
DOOR ASSY. PARTS

**CUSTOMER
SUPPORT**



VESTEL WHITE GOODS	FREEZER - 491 PBD	CUSTOMER SUPPORT
	DOOR ASSY. PARTS LIST	

POSITION NUMBER	PART NAME
135	SCREW ST 4.2*13 OZEL12-C
154	LOGO
155	DOOR ASSY/491
164	DOOR HANDLE COVER <i>(OPTIONAL)</i>
174	BOTTOM STOPPER/HC
174B	BOTTOM STOPPER REINFORCEMENT 473
187	BUSHING/345CE
189	BUSHING/540CE
200C	T/D CAP COVER
460	GASKET
510	SCREW M,YHB,5x14,F,ST,A3K,TT, LAMELLA
630	DOOR HANDLE(370) <i>OPTIONAL</i>
695	TDT CAP CABLE COVER RIGHT
696	TDT CAP CABLE COVER LEFT



VESTEL WHITE GOODS	FREEZER - 491 PBD	CUSTOMER SUPPORT
	UNIT PARTS LIST	

POSITION NUMBER	PART NAME
201	MAIN CONDENSER
203	SPACER
205	SCREW ST 4.8*13 YSB-T-C
207	ANTIVIBRATION (CONDANSER)
210	POWER CORD
211	OVER LOAD RELAY <i>(OPTIONAL)</i>
211	INVERTER <i>(OPTIONAL)</i>
211B	COMP.COVER
212	CAPACITOR
215	DRYER
216	COMP FIXING BRACKET
217	COMPRESSOR
218	COMP BASEMENT
219	EARTH WIRE/PGYB-WASHER
224	SCREW KA 50*14 YSB-F
227	FRONT/BACK WHEEL PP40KA
228	REAR WHELL PIN
1026	COMPRESSOR RUBBER