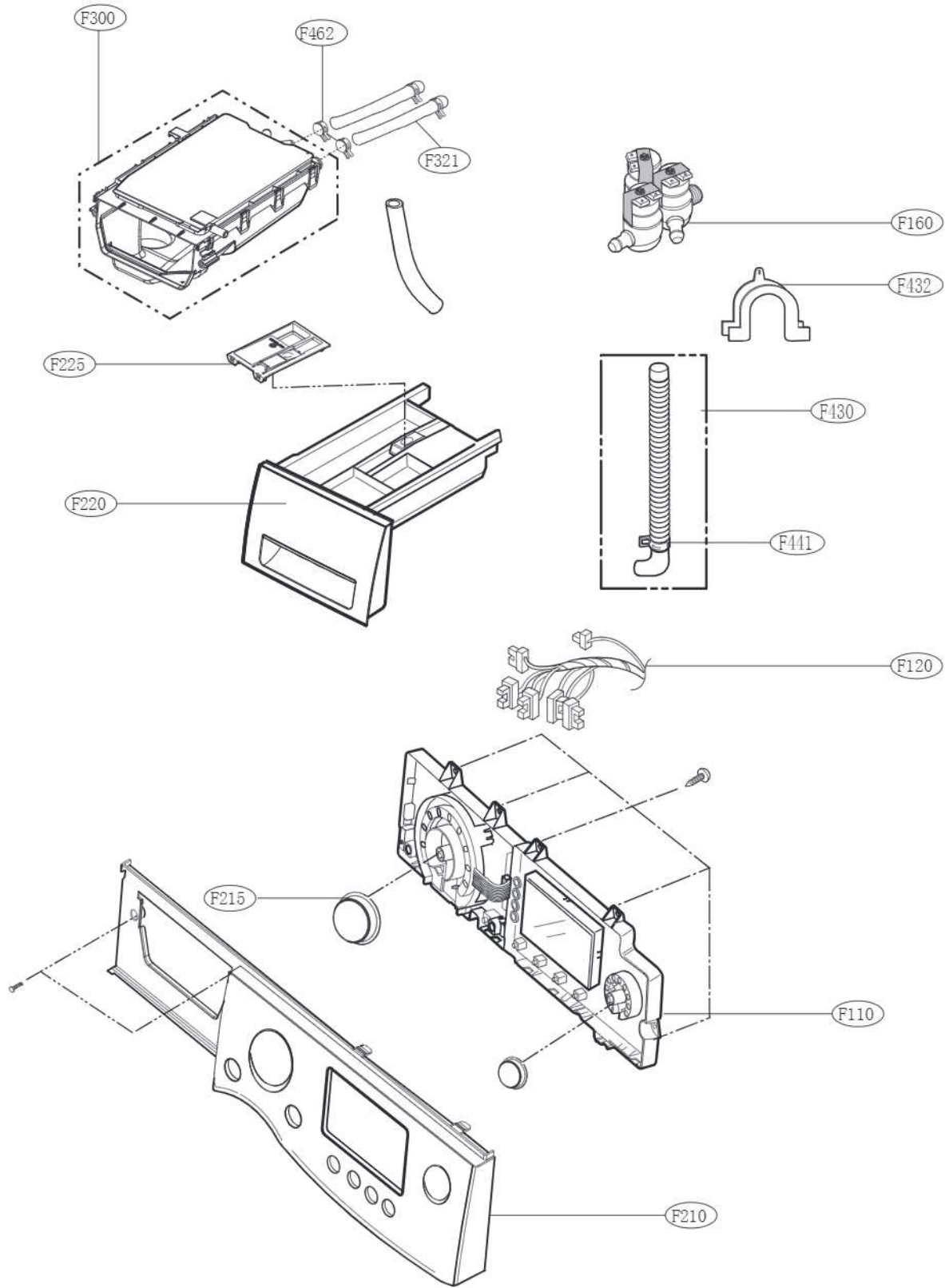




# 10- 2TH EEXPL O DE D VEW O F CONTR OLPANE L& D B PENSER ASSEM BLY



# 10-3 THE EXPLODED VIEW OF DRUM & TUB ASSEMBLY

