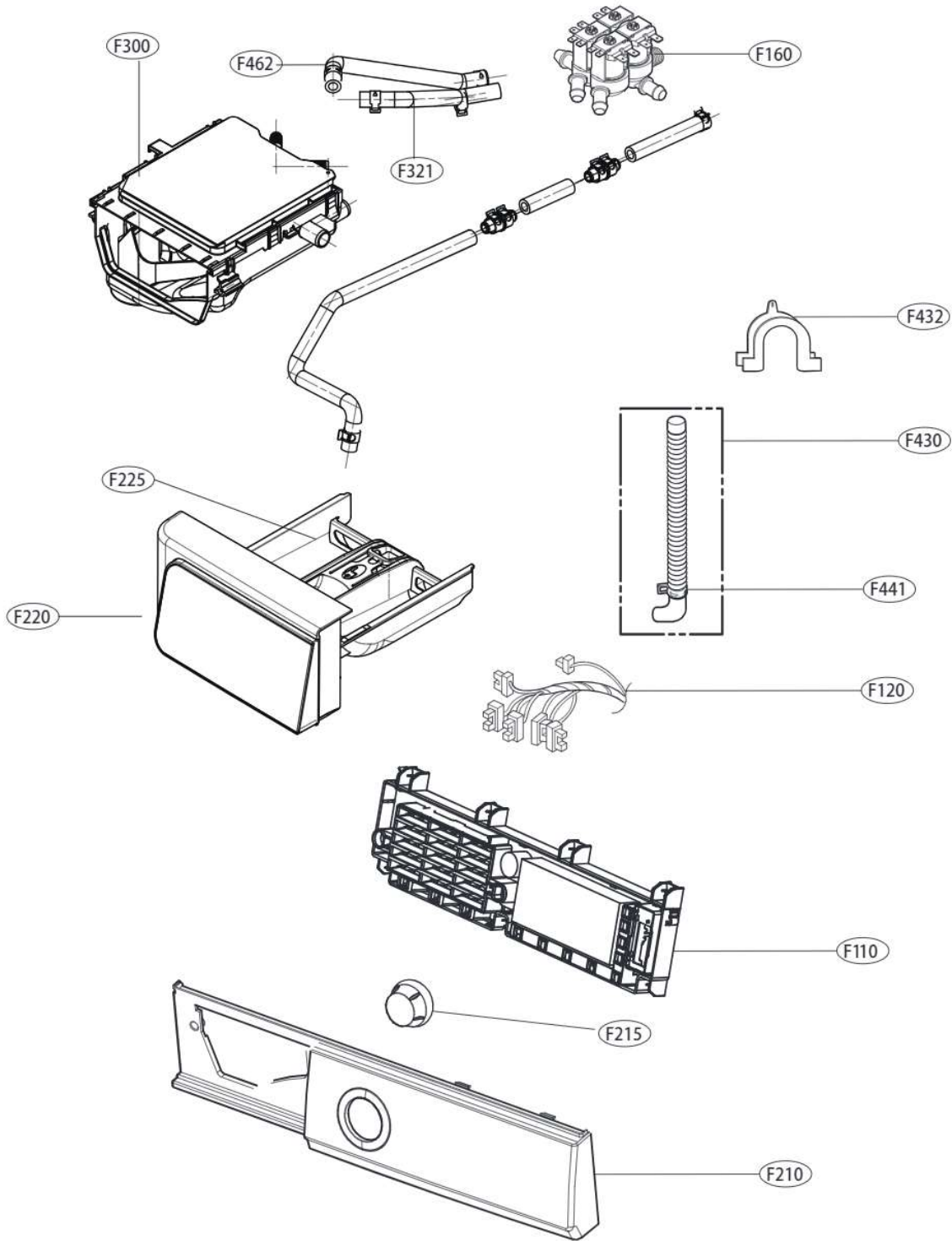




# THE EXPLODED VIEW OF CONTROL PANEL & DISPENSER ASSEMBLY





---

## 11-4. THE EXPLODED VIEW OF DRYER

