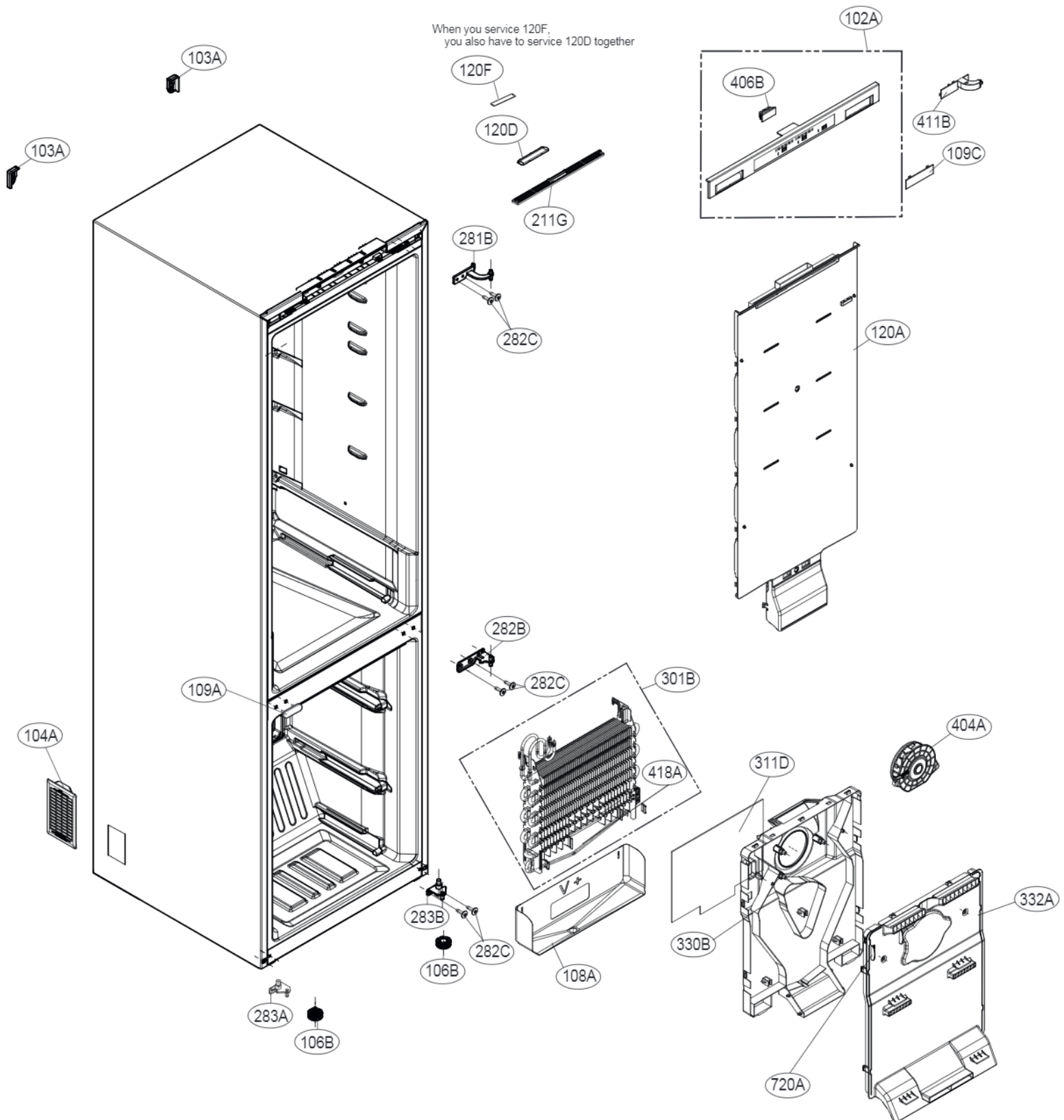


# EXPLODED VIEW

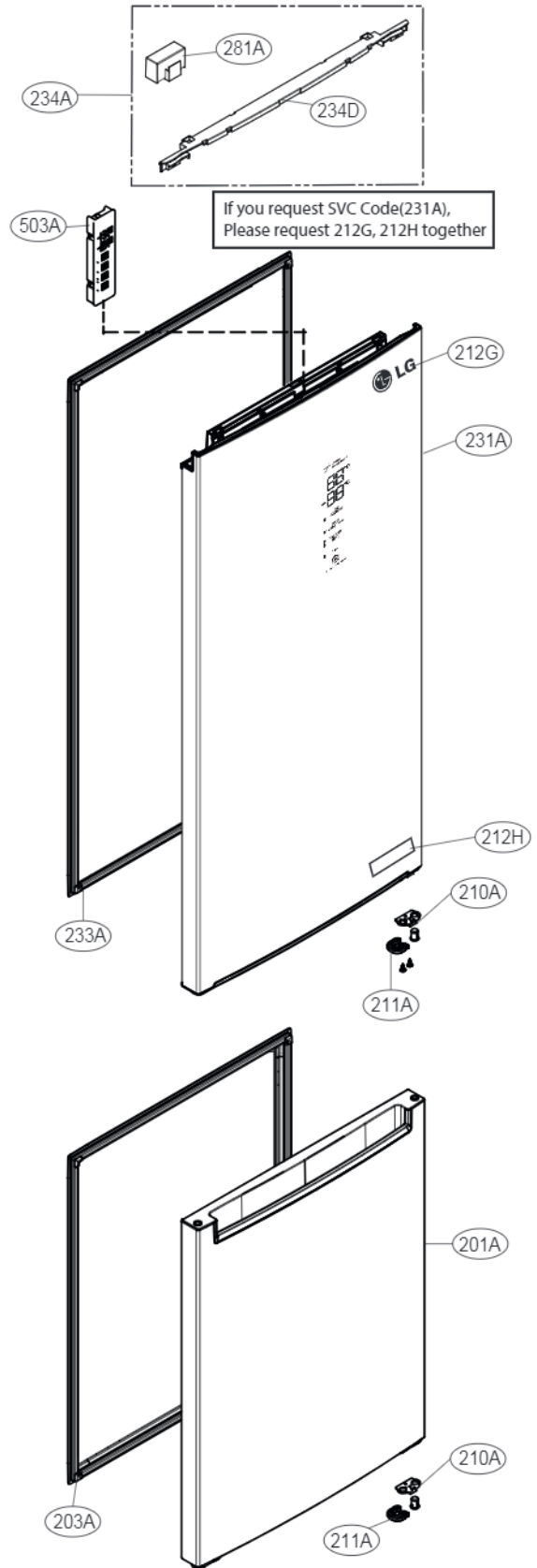
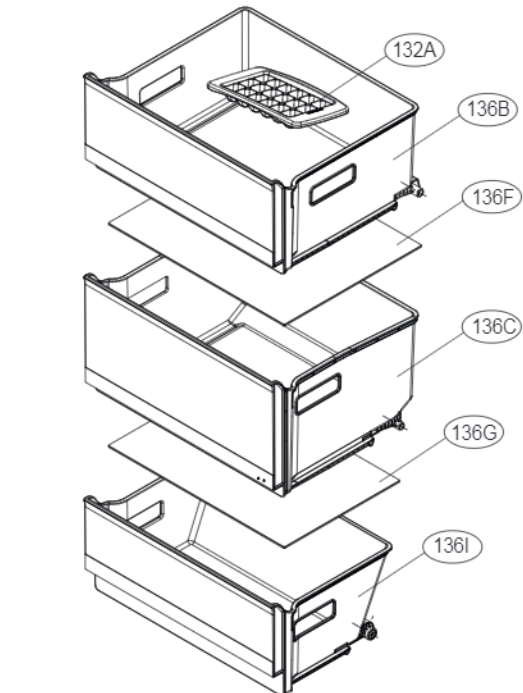
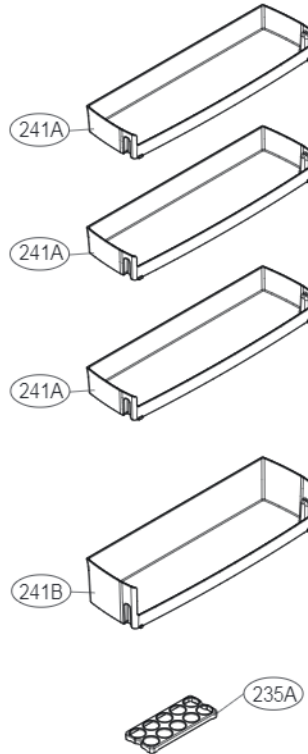
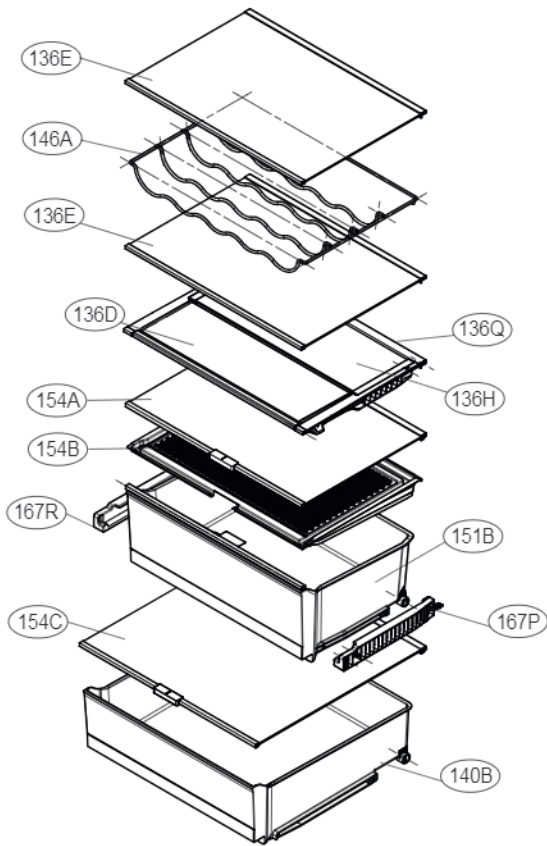
Ref. No : GBB92\*\*AXP



► The parts of refrigerator and the shape of each part are subject to change in different localities.

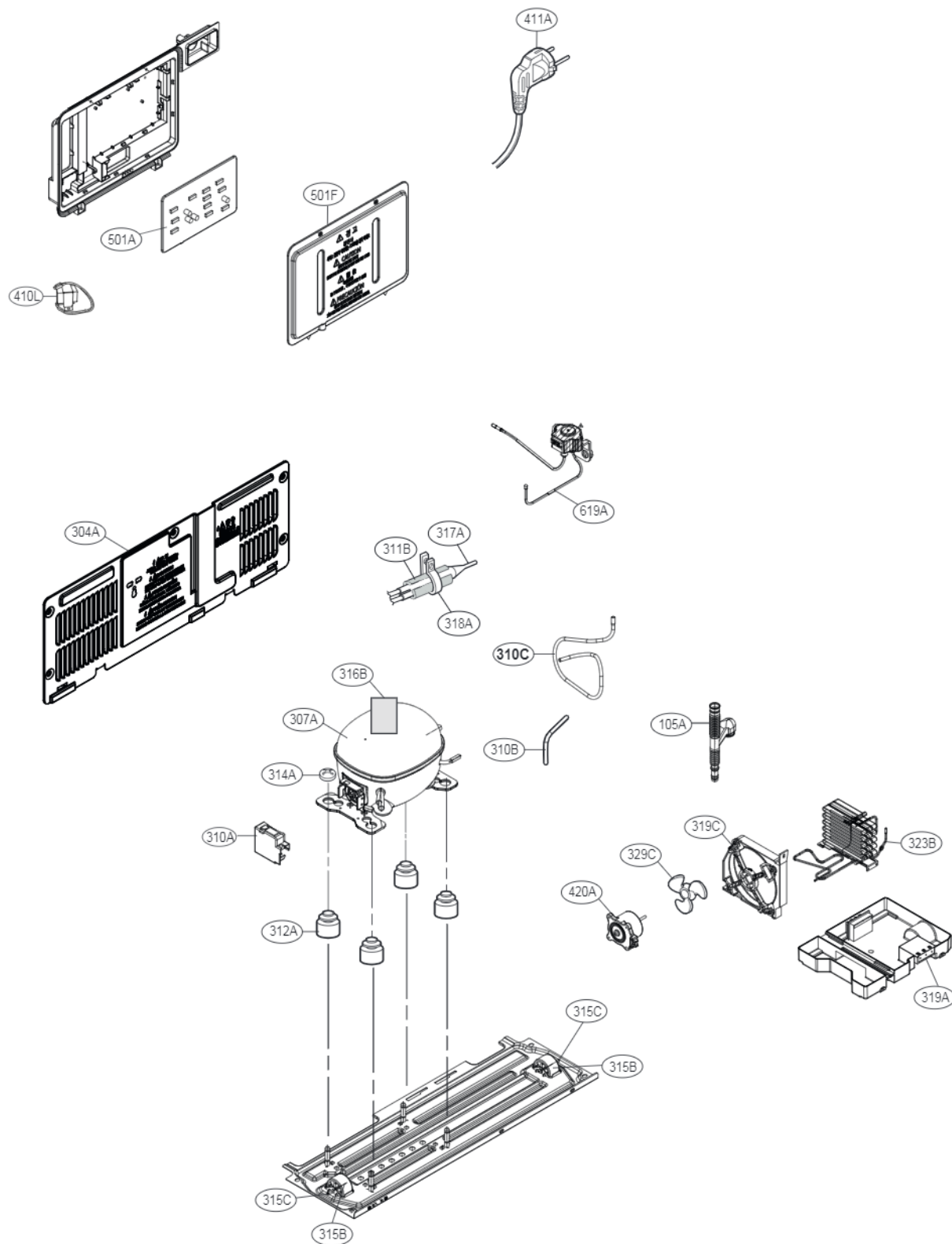
# EXPLODED VIEW

Ref. No : GBB92\*\*AXP



# EXPLODED VIEW

Ref. No: GBB92\*\*AX\*



☒ The parts of refrigerator and the shape of each part are subject to change in different localities.