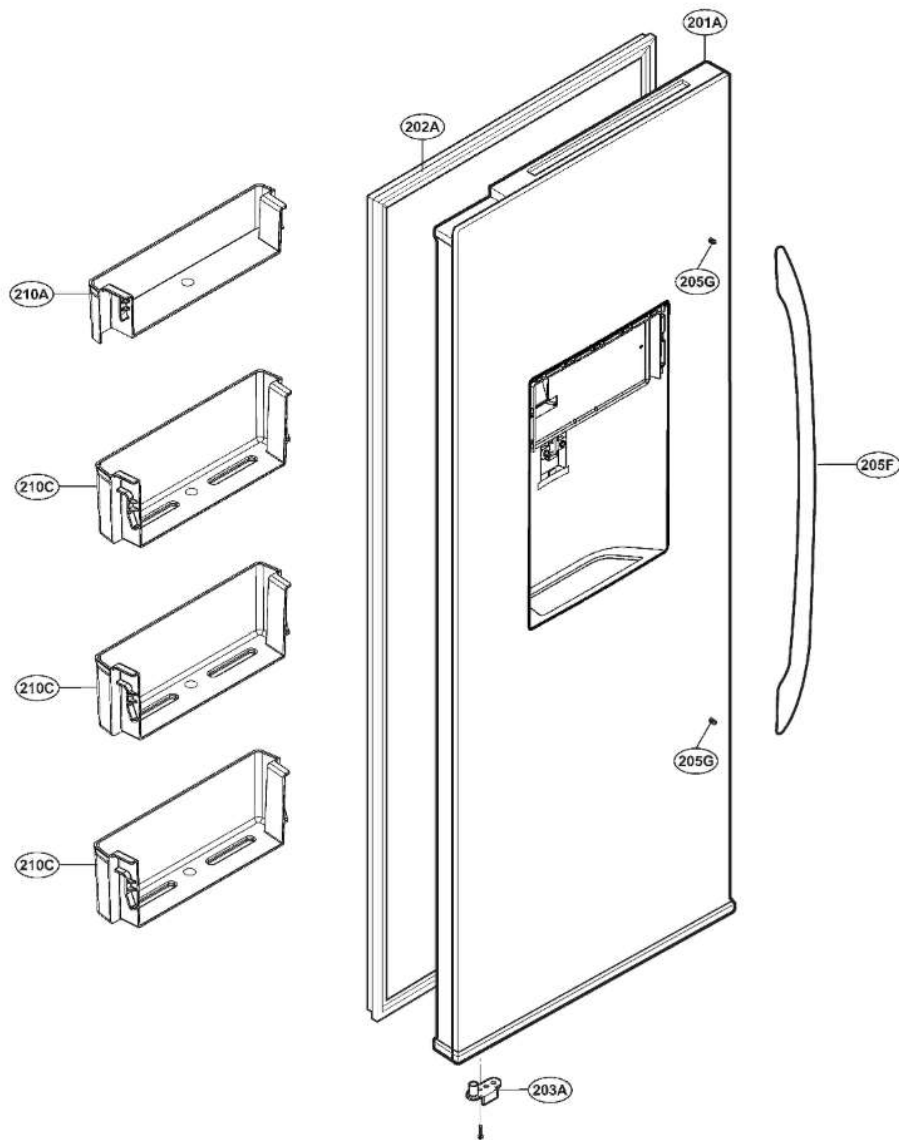


# EXPLODED VIEW

FREEZER DOOR PART

Ref No.:GSP325\*\*\*\* GSL325\*\*\*\*

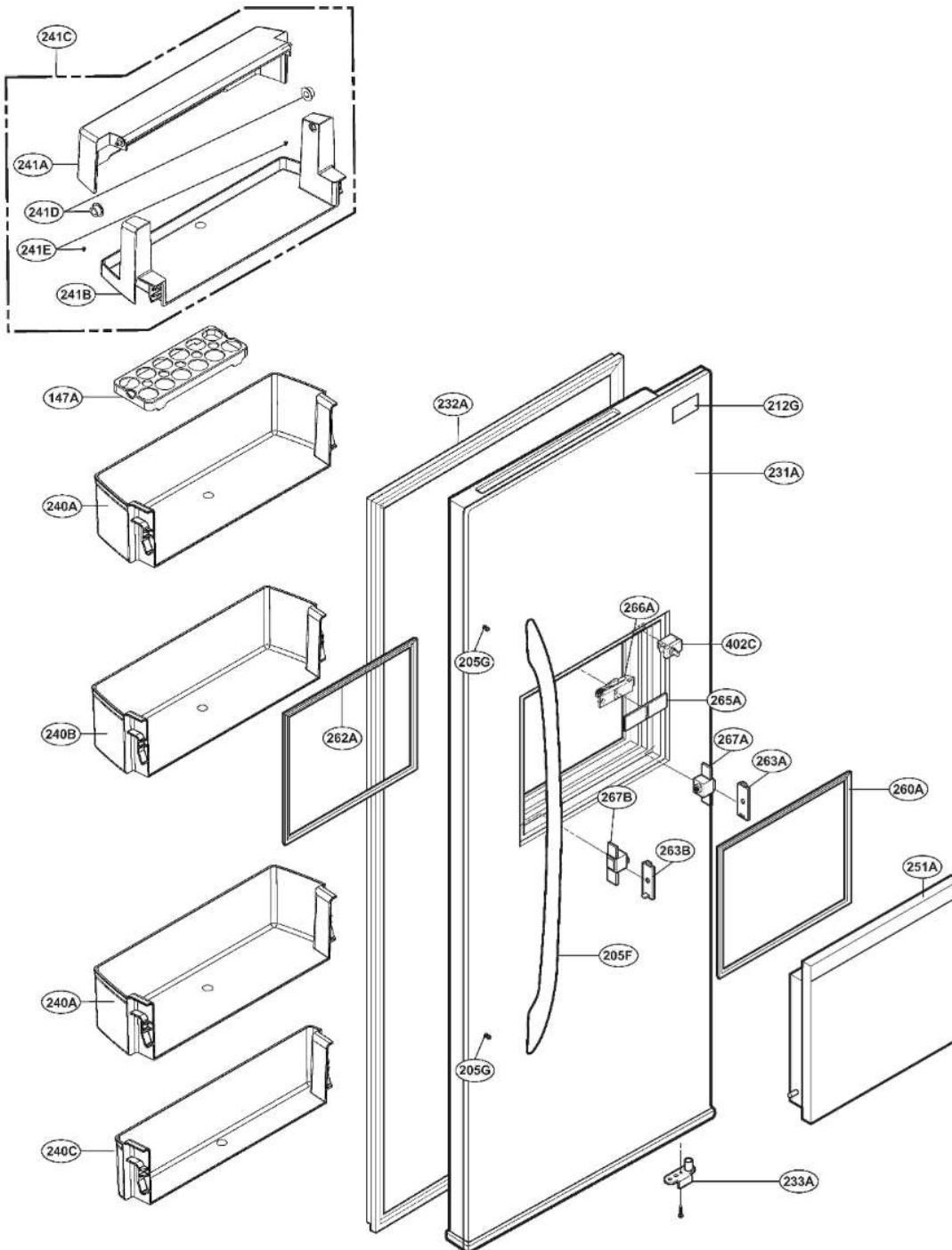


▼ The parts of refrigerator and the shape of each part are subject to change in different localities.

# EXPLODED VIEW

## REFRIGERATOR DOOR PART

Ref No.: GSP325\*\*\*\* GSC325\*\*\*\*

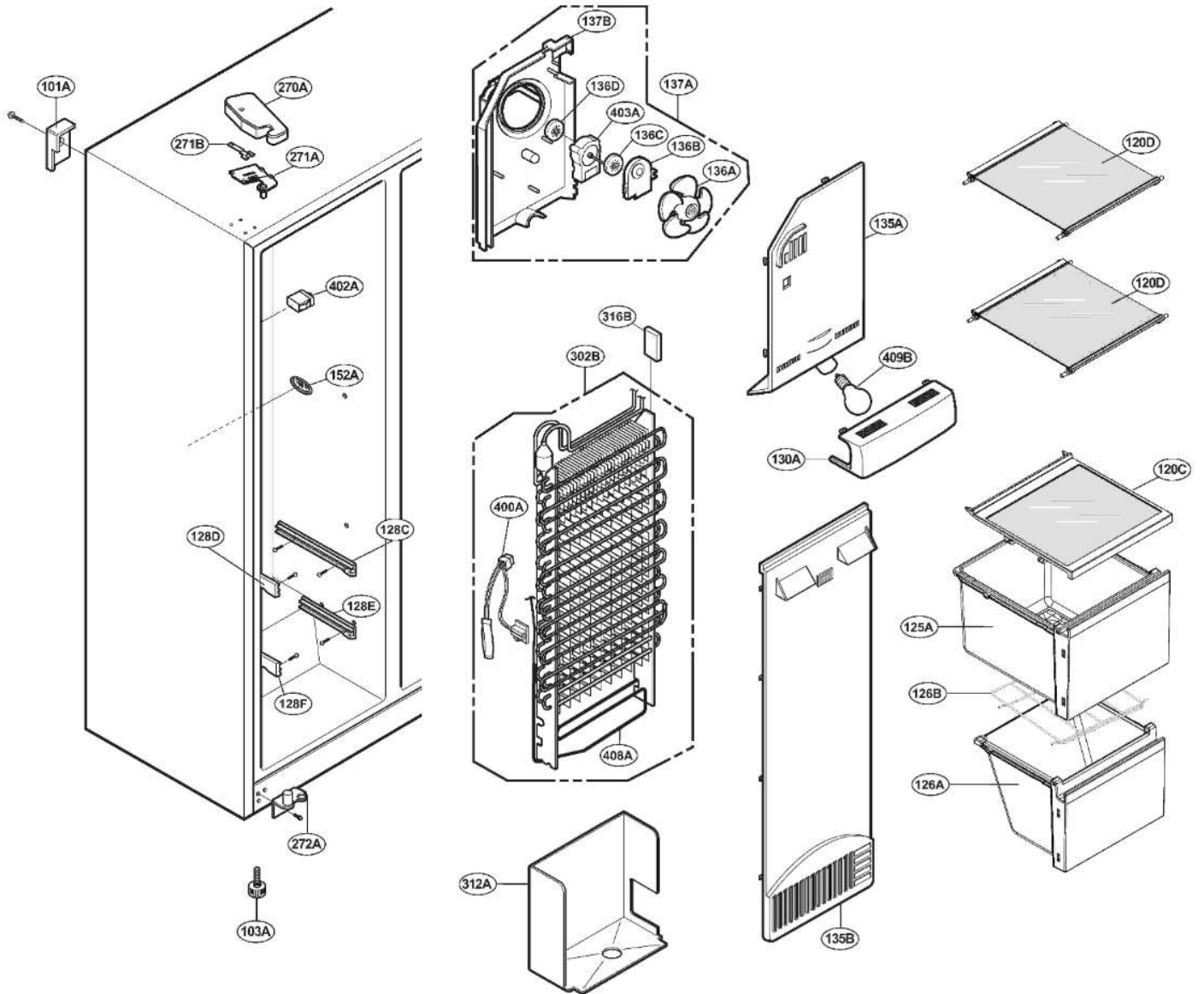


▼ The parts of refrigerator and the shape of each part are subject to change in different localities.

# EXPLODED VIEW

FREEZER COMPARTMENT

Ref No.: GSP325\*\*\*\* GSL325\*\*\*\*

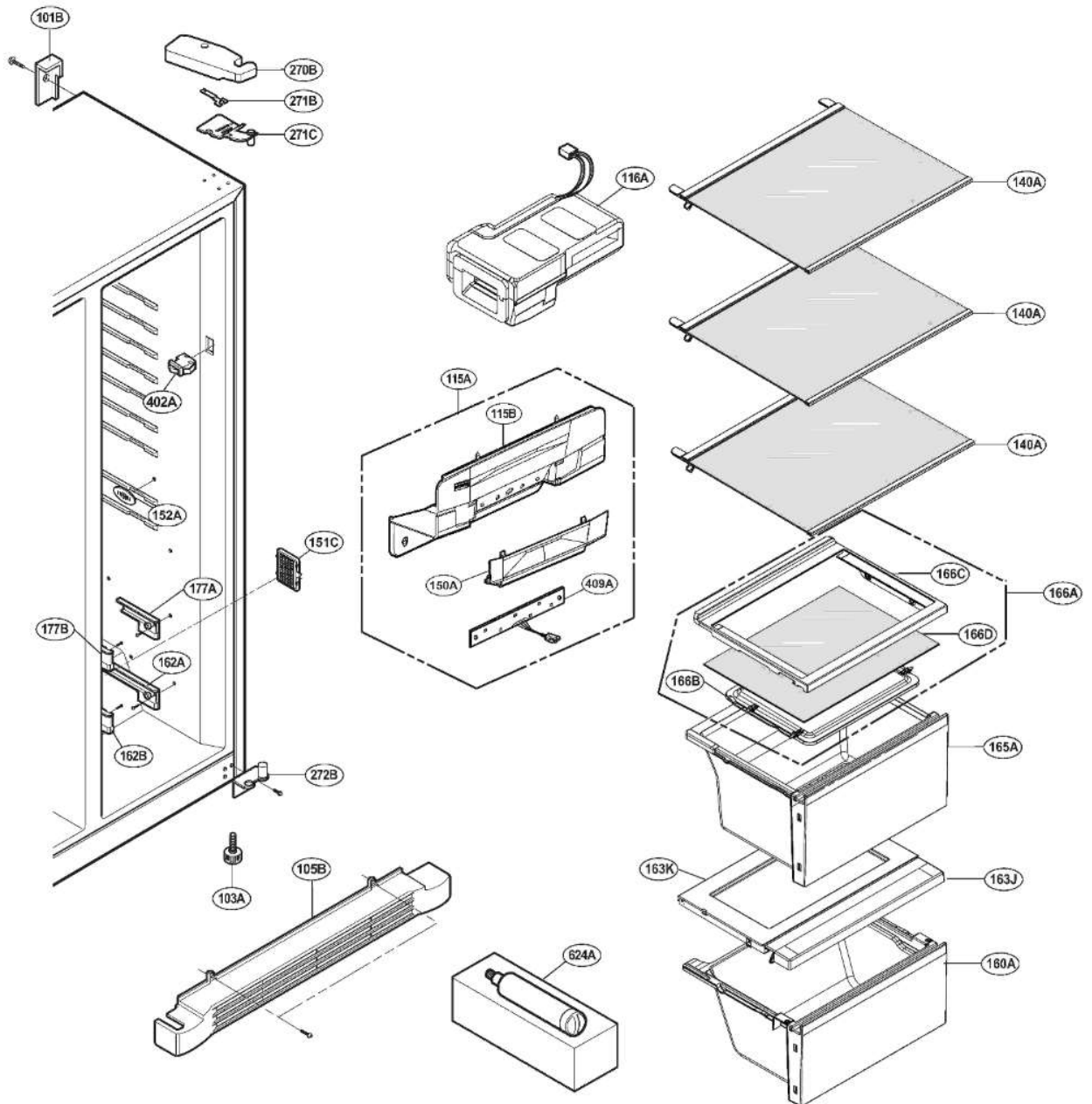


▼ The parts of refrigerator and the shape of each part are subject to change in different localities.

# EXPLODED VIEW

## REFRIGERATOR COMPARTMENT

Ref No.: GSP325\*\*\*\* GSL325\*\*\*\*

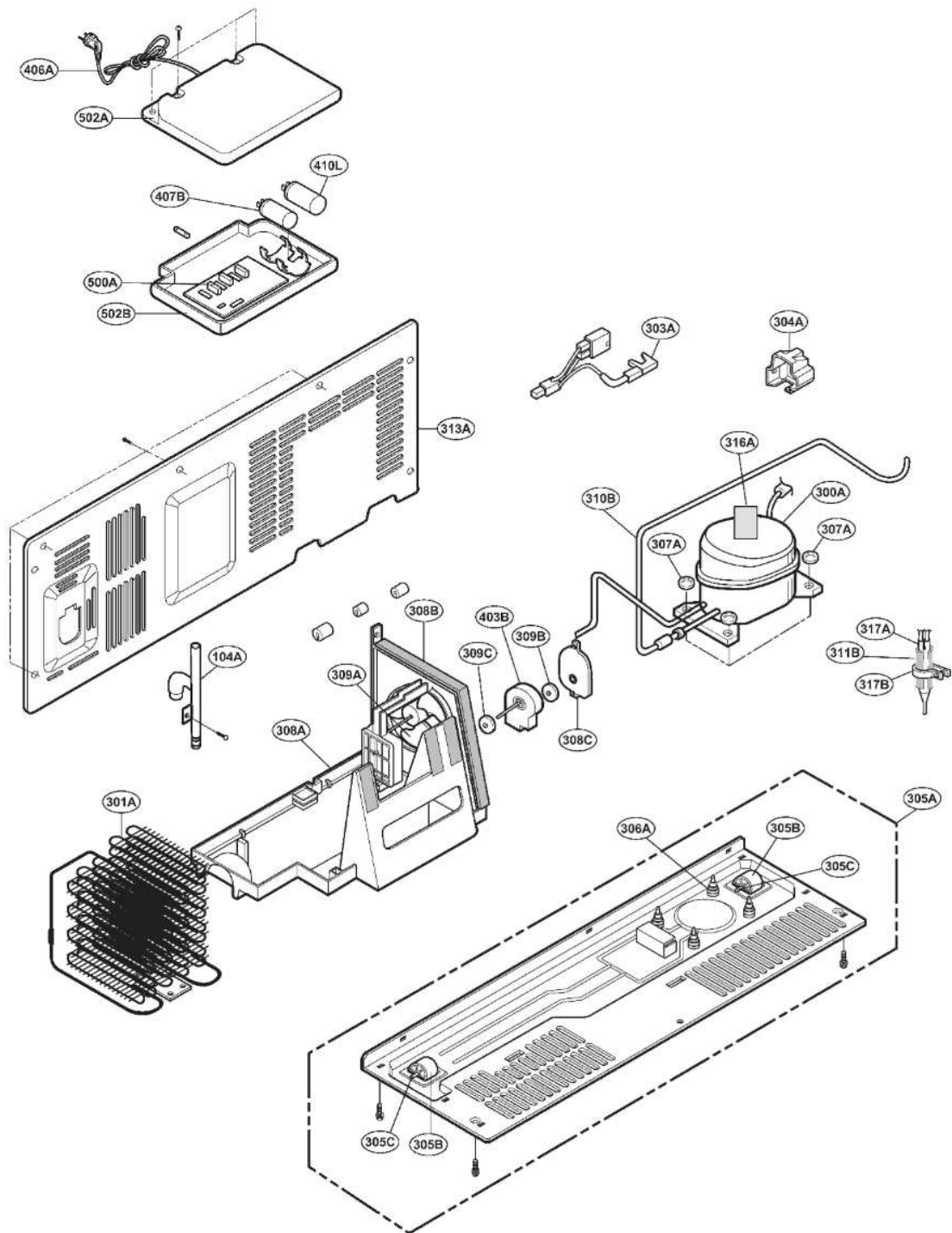


☒ The parts of refrigerator and the shape of each part are subject to change in different localities.

# EXPLODED VIEW

## MACHINE COMPARTMENT

Ref No.: GS\*325\*\*\*V

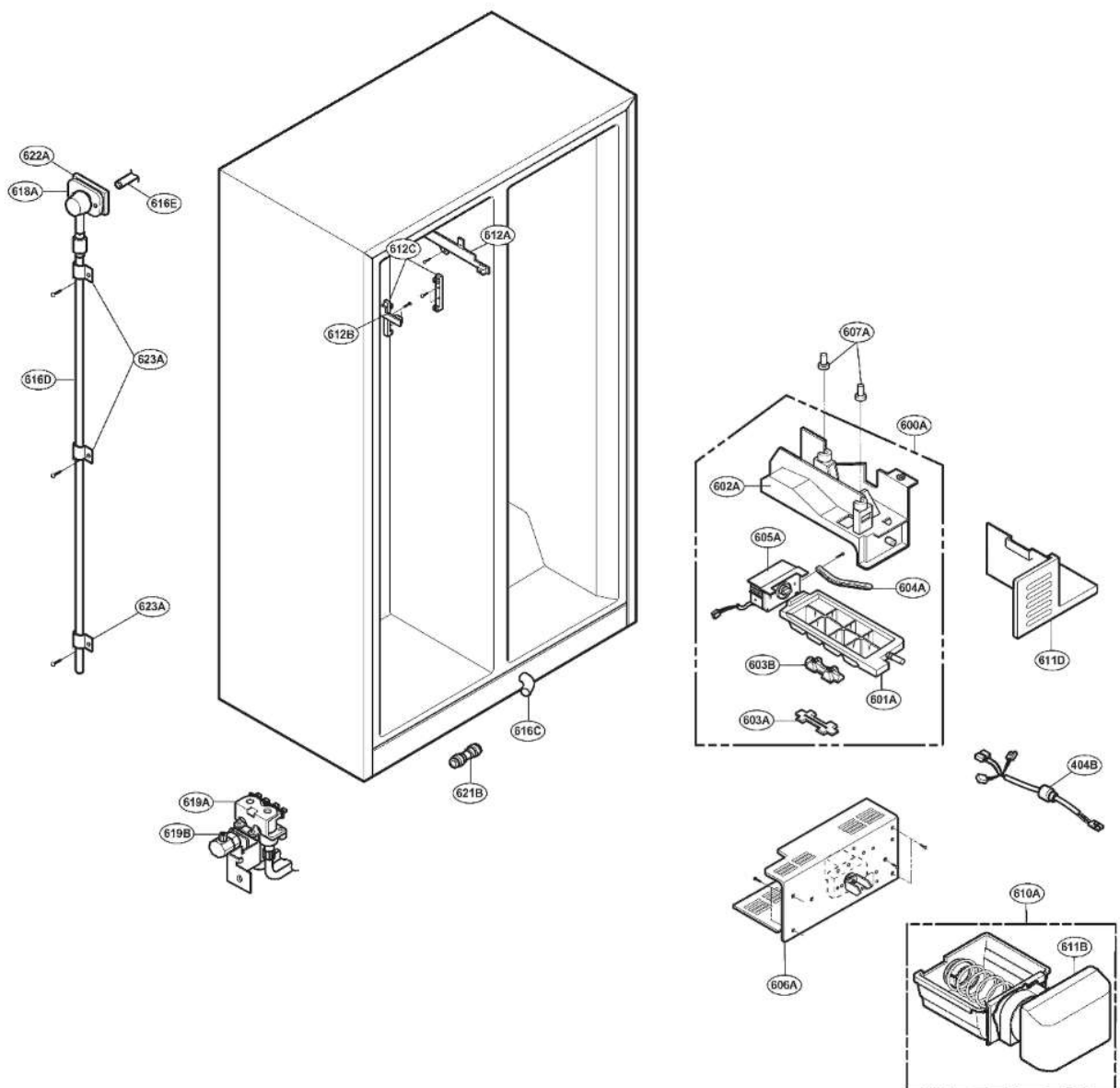


▼ The parts of refrigerator and the shape of each part are subject to change in different localities.

# EXPLODED VIEW

## ICE & WATER PART

Ref No.: GSP325\*\*\*\* GSL325\*\*\*\*

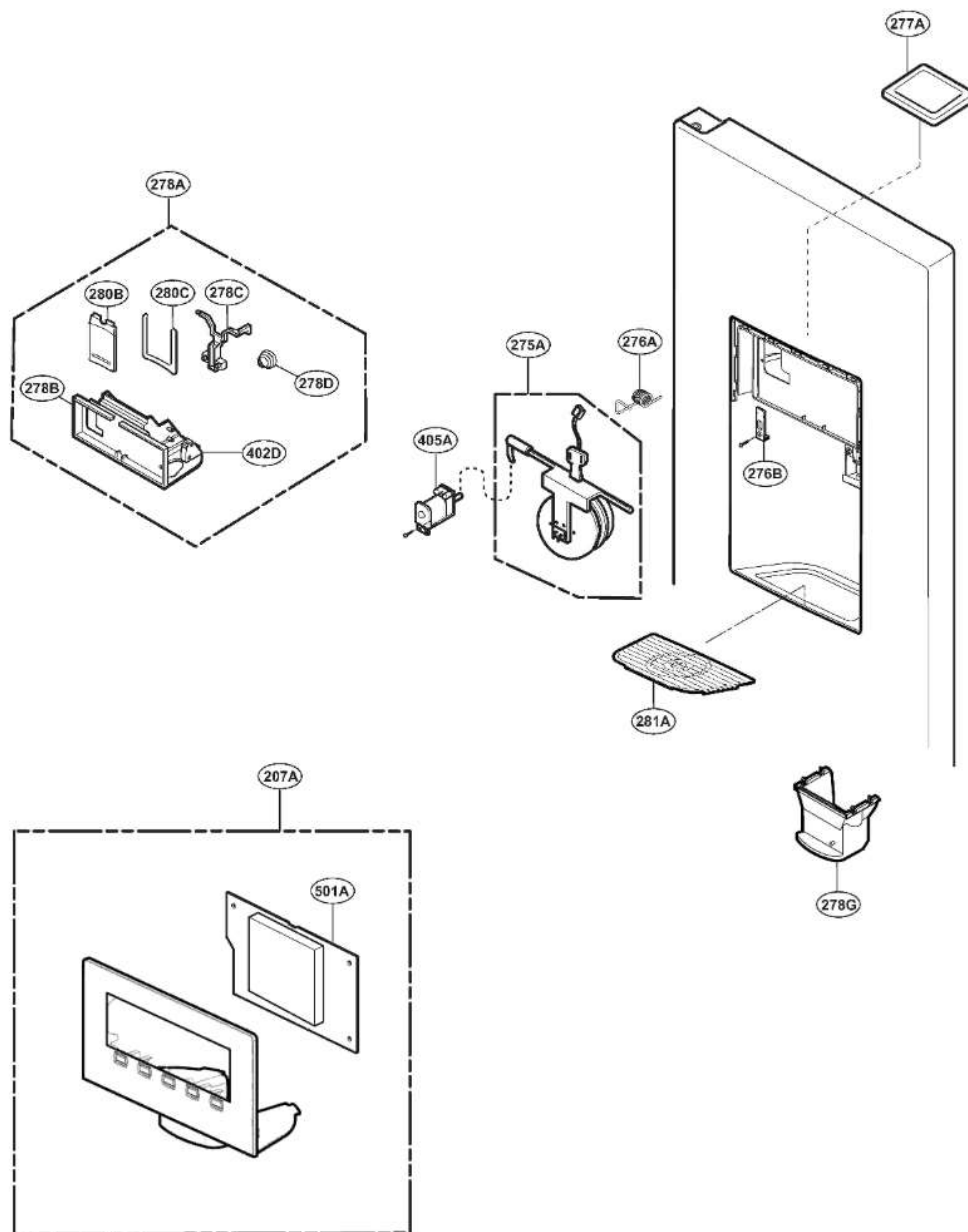


▼ The parts of refrigerator and the shape of each part are subject to change in different localities.

# EXPLODED VIEW

## DISPENSER PART

Ref No.: GSP325\*\*\*\* GSL325\*\*\*\*



▼ The parts of refrigerator and the shape of each part are subject to change in different localities.