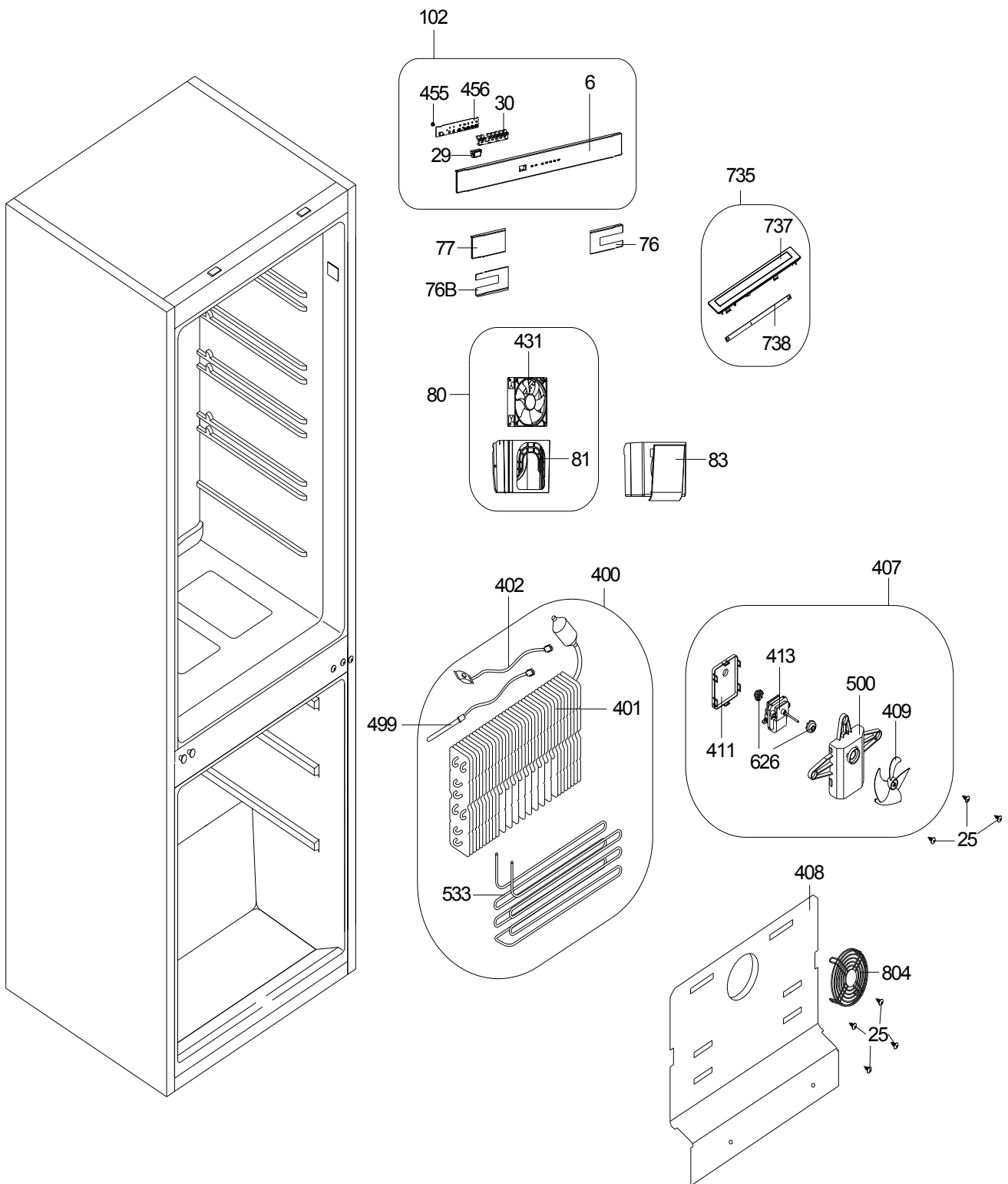


| | | |
|------------------------------|---------------------------------------|--------------------------------------|
| VESTEL WHITE GOODS | BUILT IN-COMBI 2751-ELECTRONIC | CUSTOMER SUPPORT |
| | INTERIOR PARTS LIST-1 | |

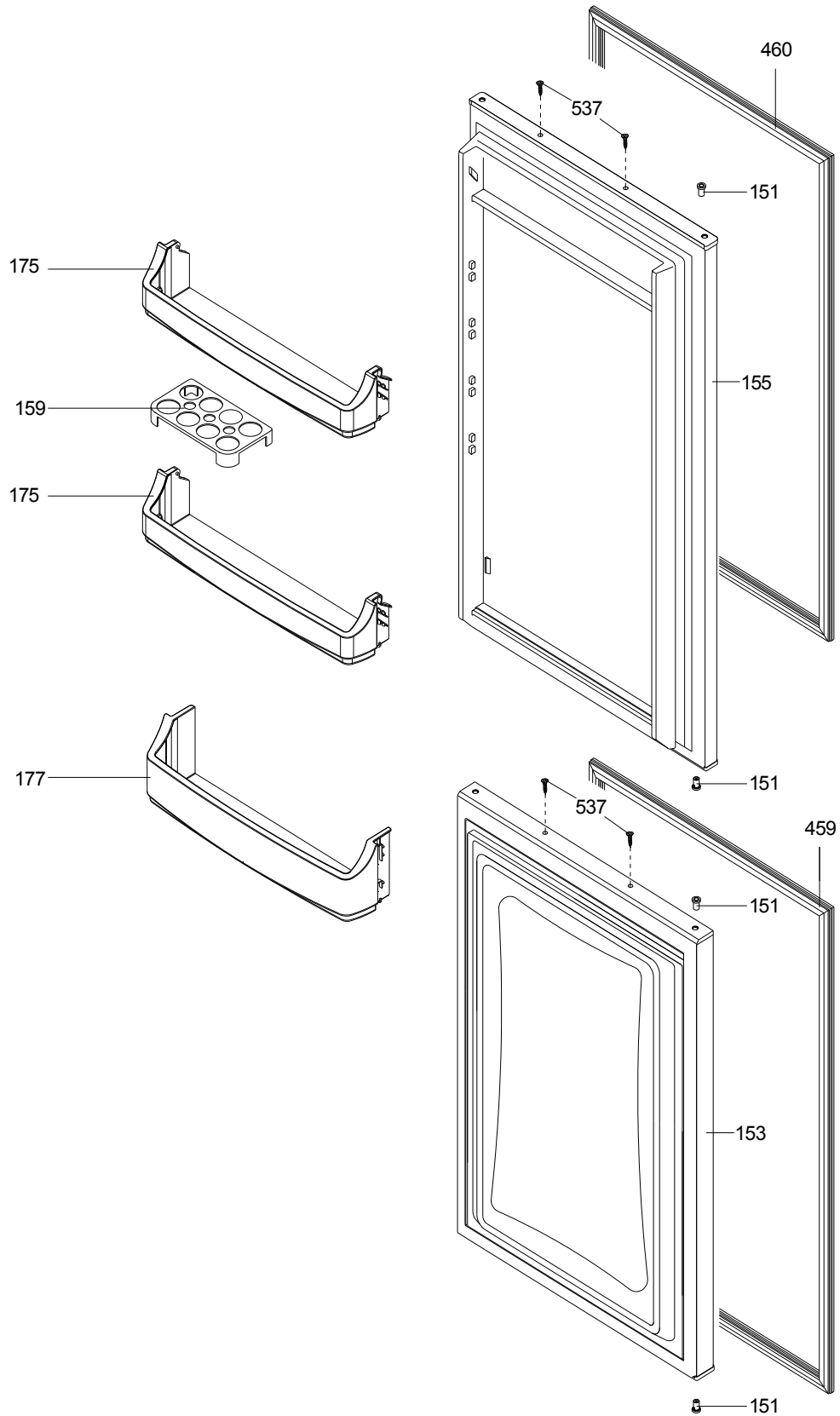
| POSITION NUMBER | PART NAME |
|-----------------|----------------------------------|
| 7 | SCREW M5*14 YSB-F |
| 11 | MIDDLE HINGE SCREW CAP (SMALL) |
| 12 | MIDDLE HINGE SCREW CAP (BIG) |
| 14 | TUNNEL DRAIN PLUG |
| 18 | ICE TRAY |
| 19A | F GLASS TOP SHELF/319 |
| 19B | F GLASS BOTTOM SHELF/2751 |
| 25 | SCREW 40*13 YSB-R-C-INOX |
| 32 | SCREW KA 40*18 YSB-C-INOX |
| 37 | R COMPARTMENT SHELF |
| 38A | R.GLASS SHELF FRONT |
| 38B | R.GLASS SHELF BACK |
| 39 | CRISPER UPPER GLASS SHELF |
| 40 | CRISPER COVER TRIM |
| 41 | R.CRISPER GR. |
| 71 | WINE SHELF (OPTIONAL) |
| 91 | F COVER |
| 92 | TOP BASK.GR |
| 93 | BOTTOM BASK.GR |
| 213 | SCREW 4.2*9.5 DIN 7981 YSB |
| 315 | DOOR SWITCH |
| 476 | DOD PACKAGE GR |
| 477 | TOP BRACKET/ANK |
| 480 | SCREW 4*17 YHB |
| 481 | SEALING/3200 ANK-DOD |
| 506 | DOD HANG COVER/1400ANK |
| 507 | DOD -DOOR HANG/1400 ANK |
| 508 | DOD- DOOR BOTTOM FIXING/1400 ANK |
| 509 | TOP HINGE DOD/1400 ANK |
| 510 | SCREW M5*14 YHB-F |
| 511 | BOTTOM/HINGE DOD/1400 ANK |
| 512 | FOOT DOD/ANK |

AUGUST 2017

INTERIOR PARTS-2



| POSITION NUMBER | PART NAME |
|----------------------------|---------------------------------|
| 6 | HEAD PANEL/2751-2761 |
| 25 | SCREW 40*13 YSB-R-C-INOX |
| 29 | HEAD PANEL BUTON |
| 30 | LIGHT CARRIER 2451 |
| 76 | HEAD PANEL COVER 2791 RIGHT |
| 76B | HEAD PANEL COVER 2791 LEFT |
| 77 | HEAD PANEL COVER 2791 |
| 80 | TURBO FAN CABINET GROUP/3951 |
| 81 | TURBO FAN HOLDER |
| 83 | TURBO FAN COVER |
| 102 | HEAD PANEL GR/2751 |
| 131 | SCREW KA 40*14 YSB-C-INOX |
| 400 | FIN EVAP.ASSY |
| 401 | FIN EVAPORATOR |
| 402 | BIMETAL TERM.GR |
| 407 | F FAN MOTOR GR/590UHS |
| 408 | F MULTIFLOW GR |
| 409 | PROPELLER/590(F.FAN MOTOR) |
| 411 | F FAN MOTOR COVER/590UHS |
| 413 | EVAP FAN MOTOR/391-321-590 |
| 431 | TUR.FAN MOTOR |
| 455 | SCREW KA 30*6 YSB-F |
| 456 | DB/BDD53/2751E |
| 499 | TERMAL FUSE |
| 500 | F FAN MOTOR BOX/590UHS |
| 533 | FIN EVAP HEATER/3310 |
| 626 | FREEZER FAN MOTOR RUBBER/590UHS |
| 735 | LED COVER GR/319 |
| 737 | LED COVER/319 |
| 738 | LED STRIP |
| 804 | PROPELLER COVER |



AUGUST 2017

| | | |
|------------------------------|---------------------------------------|--------------------------------------|
| VESTEL WHITE GOODS | BUILT IN-COMBI 2751-ELECTRONIC | CUSTOMER SUPPORT |
| | DOOR ASSY. PARTS LIST | |

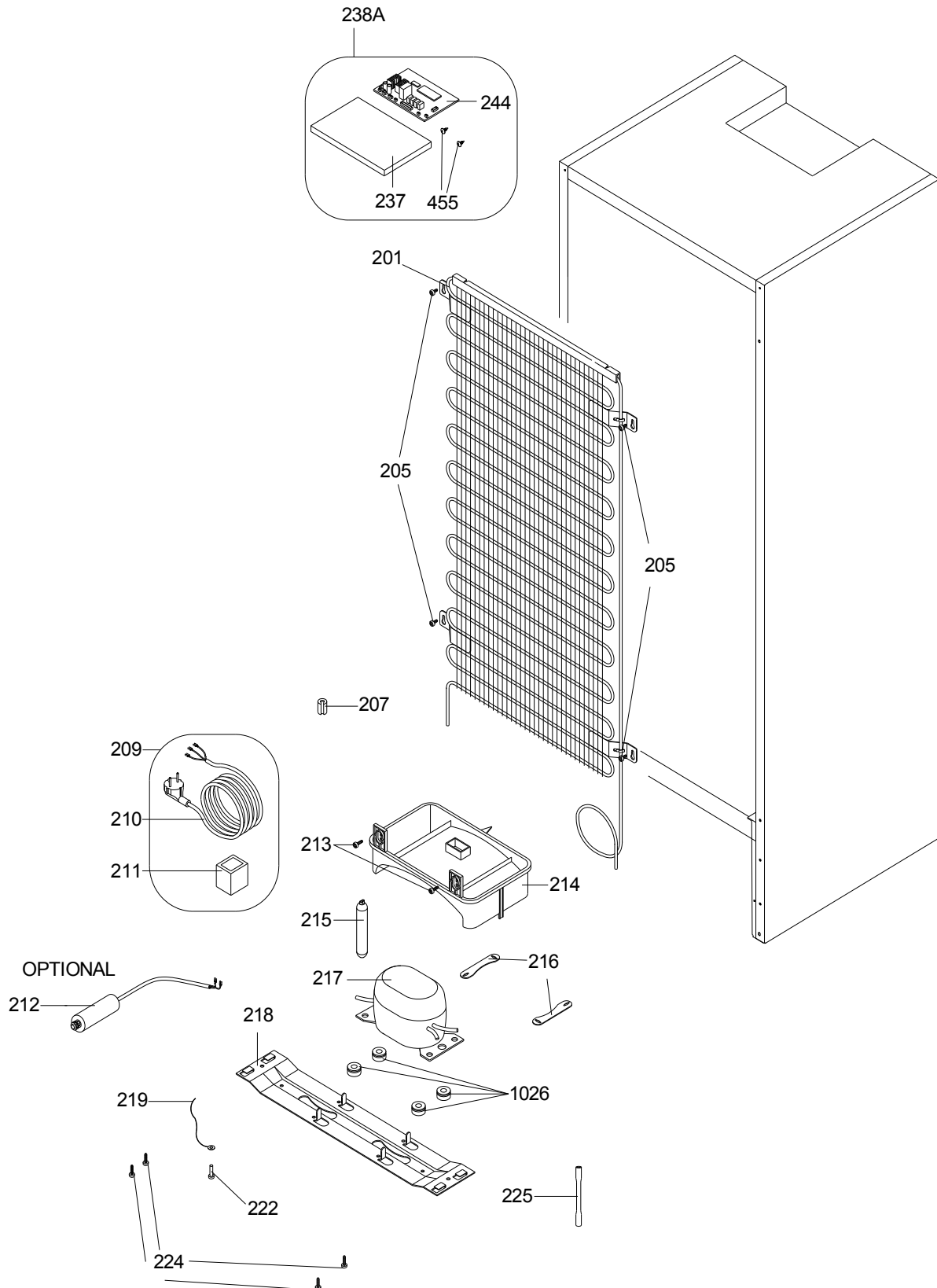
| POSITION NUMBER | PART NAME |
|-------------------------------------|------------------------------|
| 153 | F DOOR ASSY/2751 ANK DOD-CAP |
| 155 | R DOOR ASSY/2751 ANK DOD-CAP |
| 159 | EGG HOLDER |
| 175 | CHEESE BUTTER SHELF |
| 177 | BOTTLE SHELF |
| 459 | F DOOR GASKET/2761 |
| 460 | R DOOR GASKET/2761 |
| 537 | SCREW GR/ ANK-DOD |

ABBREVIATIONS :

ASSY : ASSEMBLY
 R : REFRIGERATOR
 F : FREEZER

AUGUST 2017

UNIT PARTS



UNIT PARTS LIST

| POSITION NUMBER | PART NAME |
|----------------------------|-------------------------------|
| 201 | MAIN CONDANSER |
| 205 | SCREW ST 4.8*13 YSB-T-C |
| 207 | ANTIVIBRATION (CONDENSER) |
| 209 | POWER CORD GR |
| 210 | POWER CORD |
| 211 | OVER LOAD RELAY |
| 212 | CAPACITOR (<i>OPTIONAL</i>) |
| 213 | SCREW 4.2*9.5 DIN 7981 YSB |
| 214 | EVAPORATING TRAY |
| 215 | DRYER |
| 216 | COMP. FIXING BRACKET |
| 217 | COMPRESSOR |
| 218 | COMP BASEMENT |
| 219 | GROUNDING WIRE |
| 222 | SCREW TT M4*6 YSB-T-F |
| 224 | SCREW KA 50*14 YSB-F |
| 225 | SERVICE TUBE |
| 237 | MAINBOARD COVER |
| 238A | MAINBOARD COVER GR |
| 244 | MAIN B./BDA52/NOSW-23312183 |
| 455 | SCREW KA 30*6 YSB-F |
| 1026 | COMPRESSOR RUBBER |